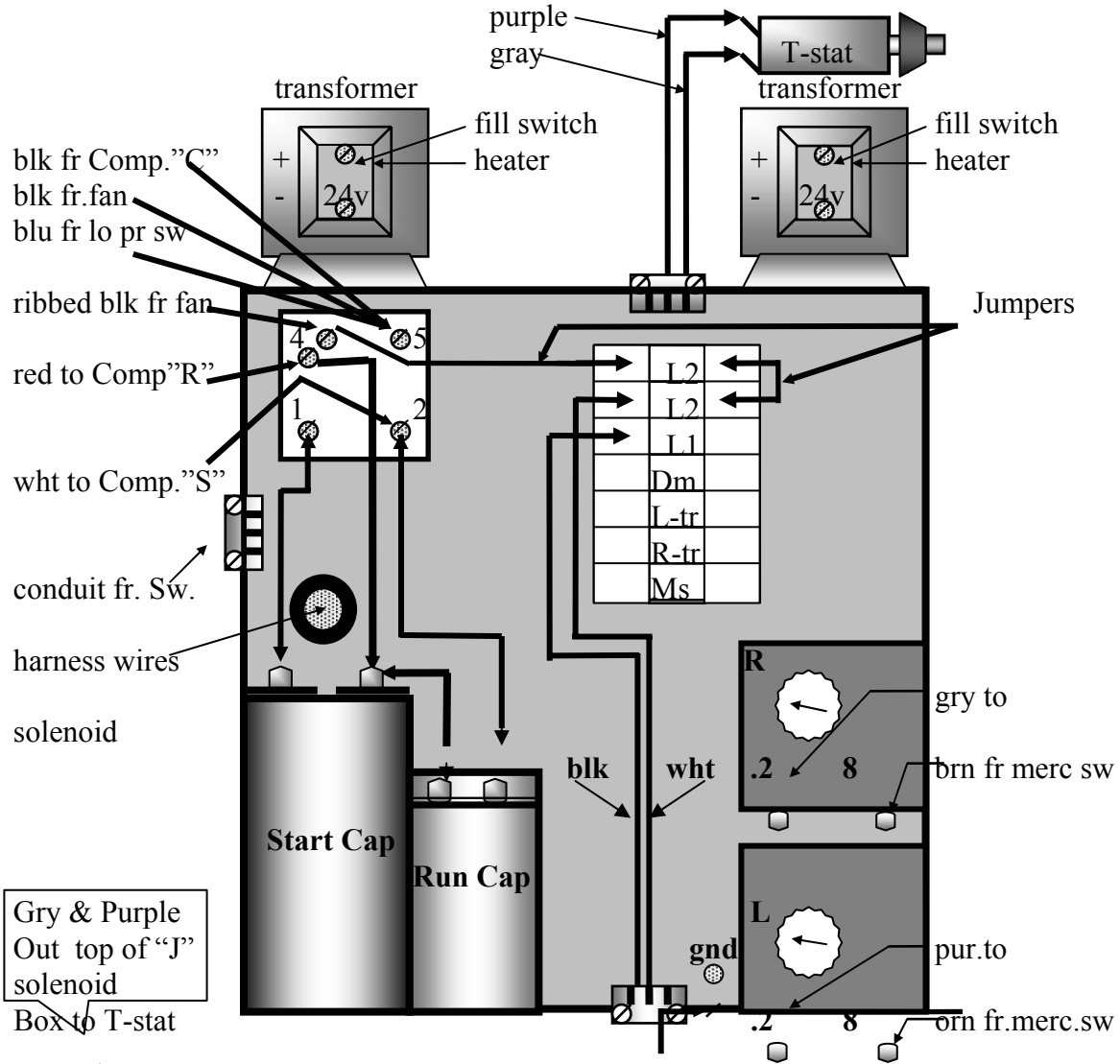


**Model 217A
Wire Diagram**

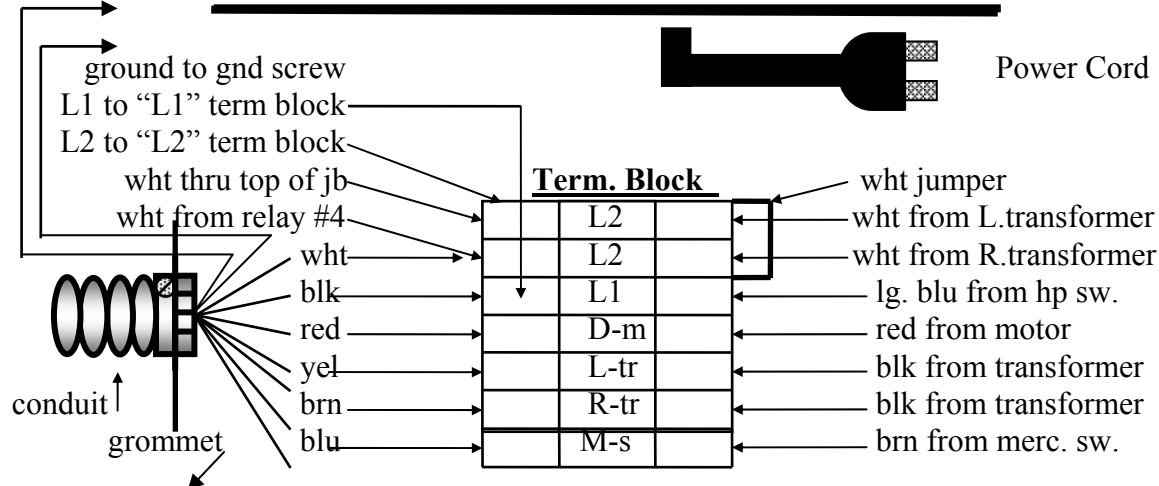
Box layout



Gry & Purple
Out top of "J"
solenoid
Box to T-stat



Power Cord





orn. to bottom timer-rt side

gry to *top timer* lt. side/ pur. to *bottom timer*-lt side