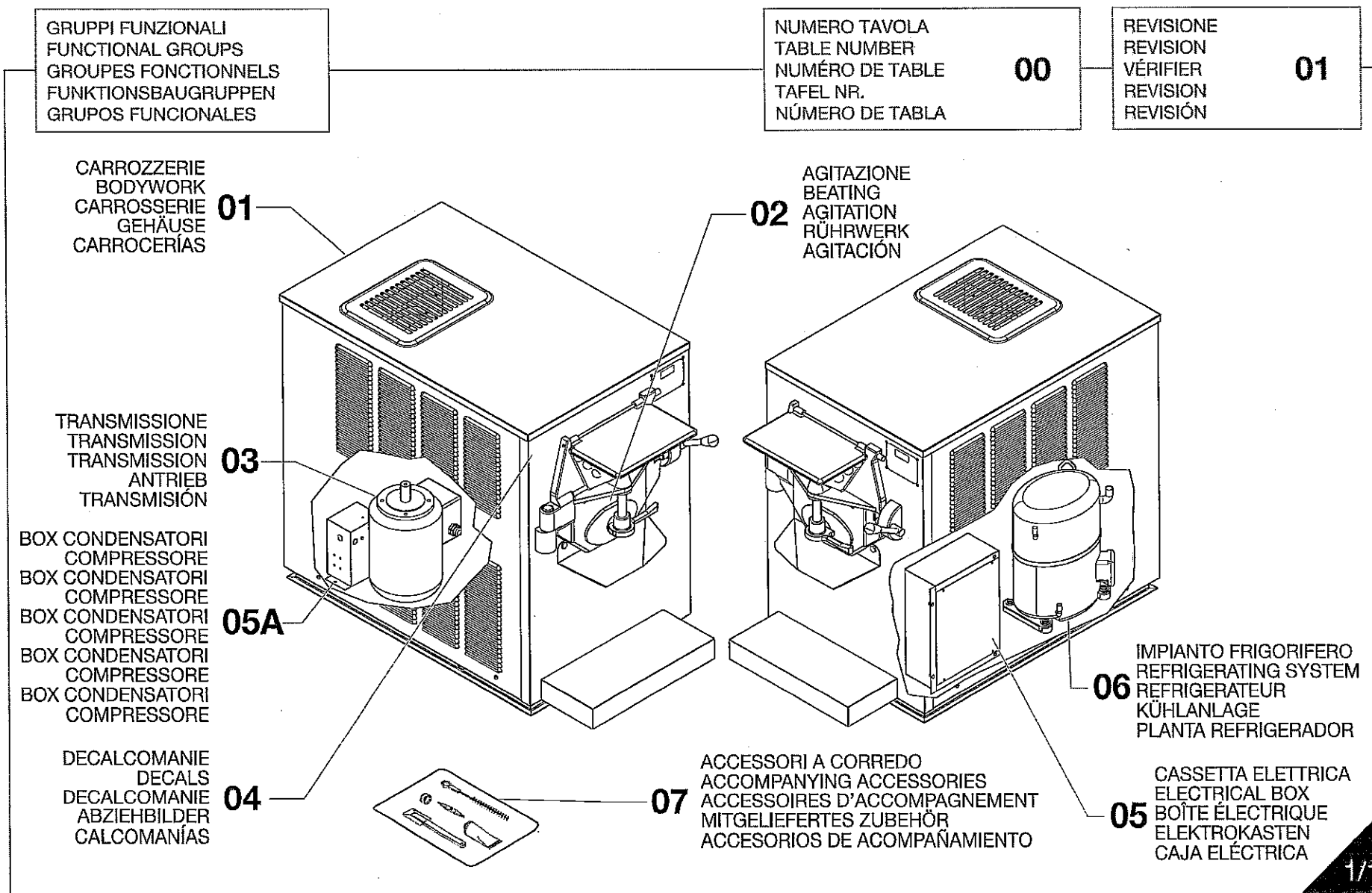


LB 200 | 200 G TRONIC G

**TAVOLE RICAMBI
SPARE PARTS TABLES
TABLEAU DES PIÈCES DE RECHANGE
ERSATZTEIL-ÜBERSICHTEN
TABLAS Y RECAMBIOS**



CARPIGIANI



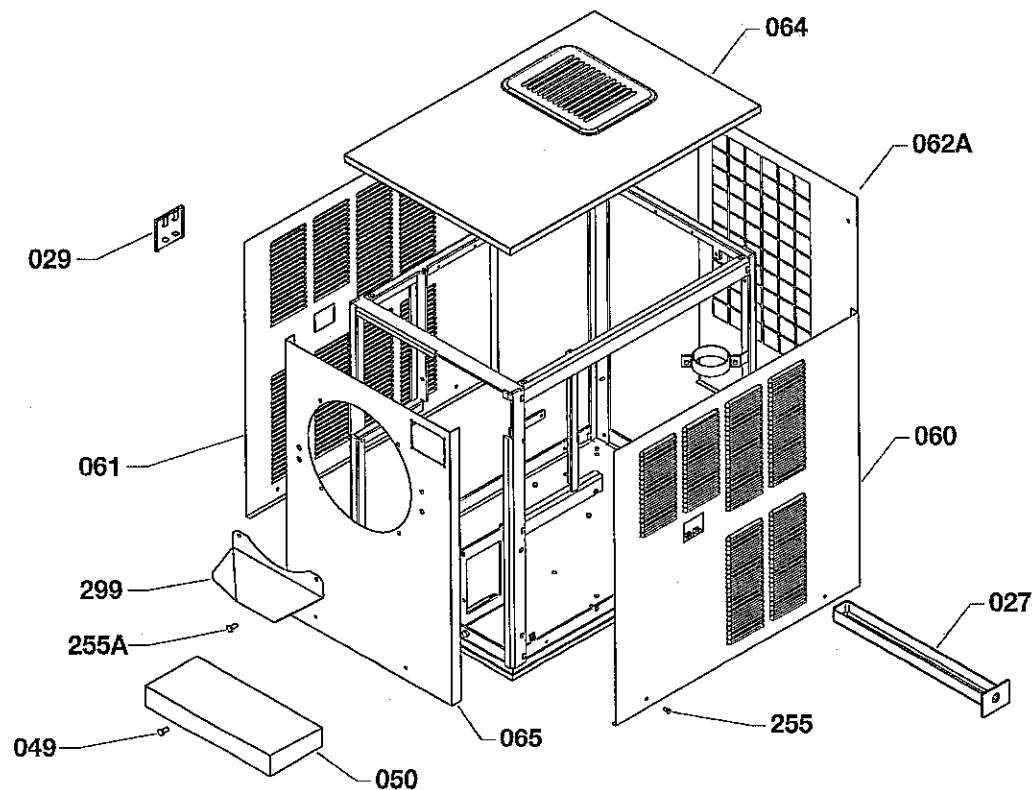
CARROZZERIE
BODYWORK
CARROSSERIE
GEHÄUSE
CARROCEÍAS

NUMERO TAVOLA
TABLE NUMBER
NUMÉRO DE TABLE
TAFEL NR.
NÚMERO DE TABLA

01

REVISIONE
REVISION
VÉRIFIER
REVISION
REVISIÓN

01



| Pos. Pos. Pos. Pos. Pos. | Codice Code Code Code Código | Descrizione | Description | Description | Beschreibung | Descripción | Note Notes Notes Anmerkungen Notas |
|--------------------------------------|--|--|------------------------------|---------------------------------|---|---|--|
| 027 | IC102159340 | CASSETTINO SGOC- CIOLIO L=450 | DRAWER DRIP | TIROIR EGOUTTOIR | ABTROPFSCHALE | CAJETÍN GOTEÓ | |
| 029 | IC102164510 | COPERCHIO FORO CASSETTINO BIANCO | COVER DRAWER DRIP | COUVERCLE | DECKEL | TAPA | |
| 049 | IC171100450 | BOTTONE ARRESTO MENSOLA | STUD SHELF MTG | GOUJON BLOCAGE CONSOLE | KNOPF KONSOLE | BOTON PARA PARA- DA REPISA | |
| 050 | IC102131700 | MENSOLA | SHELF | ETAGERE | KONSOLE | REPISA | |
| 060 | IC102094640 | LAM.LATERALE DX | PANEL SIDE RIGHT | TOLE DROITE | SEITENBLECH RECHTS | CHAPA LATERAL DERECHA | |
| 061 | IC102097640 | LAM.LATERALE SX | PANEL SIDE LEFT | TOLE GAUCHE | SEITENBLECH LINKS | CHAPA LATERAL IZQUIERDA | |
| 062A | IC102106034 | LAM.POSTERIORE A | PANEL REAR AIR COOLED | TOLE ARRIERE PAR AIR | BLECH HINTEN-LUFTKOND | CHAPA TRASERO AIRE | |
| 064 | IC102085160 | LAM.SUPERIORE | PANEL TOP | TOLE SUPERIEURE | BLECH OBEN | CHAPA SUPERIOR | |
| 065 | IC102054700 | LAM.FRONTALE | PANEL FRONT | TOLE FRONTALE | FRONTBLECH | CHAPA FRONTAL | |
| 255 | IC511528510 | VITE TCCI M 5X 10 DIN85 A2 | SCREW-SPH | VIS INOX | SCHRAUBE | TORNILLO | |
| 255A | IC171100470 | VITE CHIUSURA FORI FRONTALI | SCREW-SEALING FRONT HOLES | VIS FERMETURE Trous FRONTAUX | VERSCHLUSS- SCHRAUBE BOHRUNGEN FRONTS. | TORNILLO CIERRE ORIFICIOS FRONTALES | |
| 299 | IC102167040 | SGOCCIOLIO | TRAY DRIP | EGOUTTOIR | TROPFBLECH | GOTEÓ | |

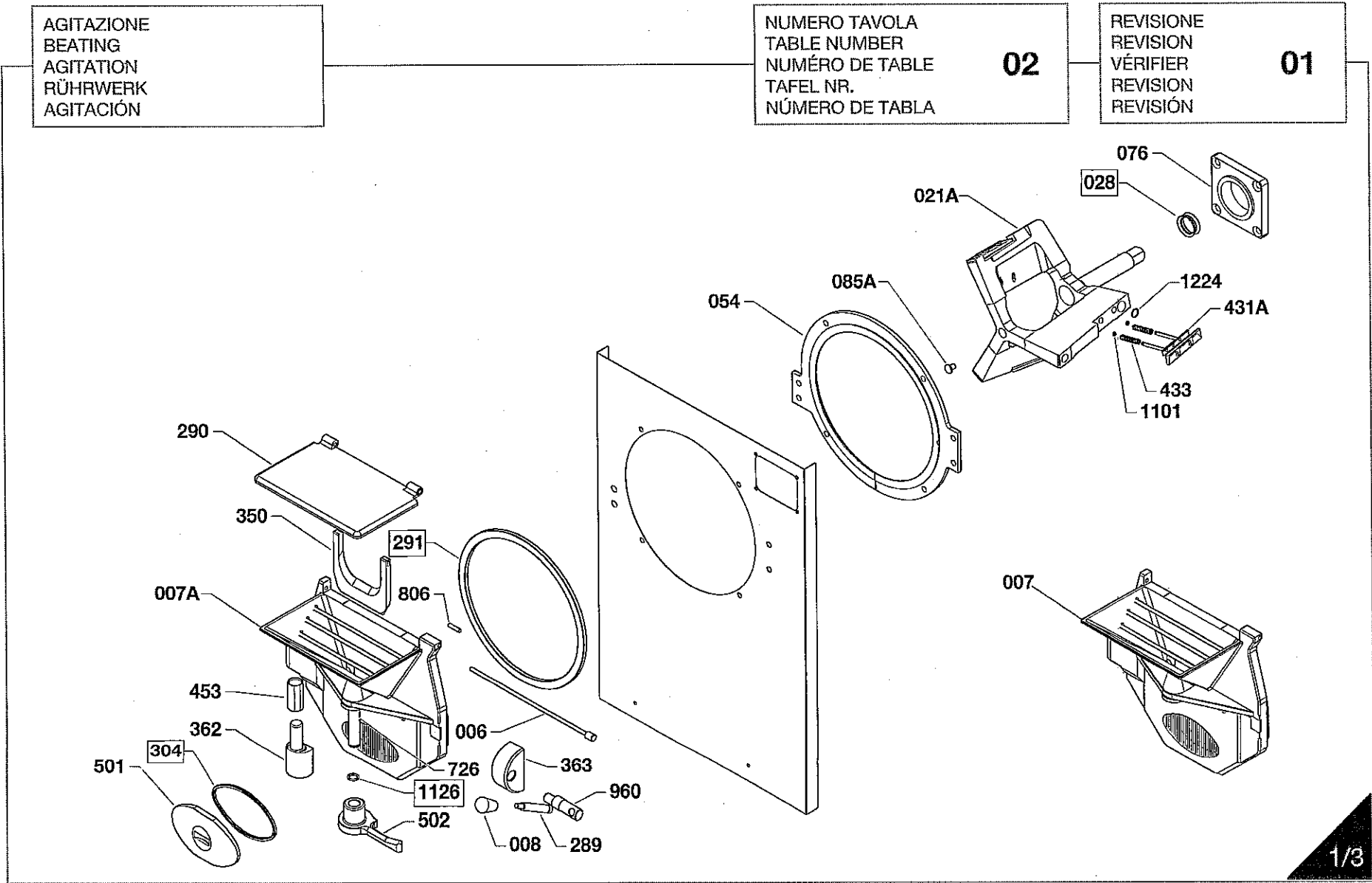
AGITAZIONE
BEATING
AGITATION
RÜHRWERK
AGITACIÓN

NUMERO TAVOLA
TABLE NUMBER
NUMÉRO DE TABLE
TAFEL NR.
NÚMERO DE TABLA

02

REVISIONE
REVISION
VÉRIFIER
REVISION
REVISIÓN

01



1/3

| Pos. Pos. Pos. Pos. | Codice Code Code Código | Descrizione | Description | Description | Beschreibung | Descripción | Note Notes Notes Anmerkungen Notas |
|------------------------------|----------------------------------|--|-----------------------------|--|--|--|--|
| 006 | IC155163620 | PERNO COPERCHIO BOCCA PORTELLO C/POMELLO | PIN-LID DOOR W/KNOB HAND | PERNO COPERCHIO BOCCA PORTELLO C/POMELLO | PERNO COPERCHIO BOCCA PORTELLO C/POMELLO | PERNO COPERCHIO BOCCA PORTELLO C/POMELLO | |
| 007 | IC118065190 | PORTELLO | DOOR | PORTILLON | FRONTVERSCHLUSS | PORTILLO | |
| 007A | IC118065210 | PORTELLO C/PERNO | DOOR W/PIN | PORTILLON | FRONTVERSCHLUSS | PORTILLO | |
| 008 | IC510300289 | IMPUGNATURA ELESA I.622/40-M8 RAL 9010 | KNOB-HAND | POMMEAU BLANC ELESA | IMPUGNATURA | IMPUGNATURA | |
| 021A | IC142050550 | AGITATORE | DASHER | AGITATEUR | RUEHRWERK | AGITADOR | |
| 028 | IC177120060 | PREMISTOPPA AGITATORE HYTREL | BEATER SHAFT SEAL HYTREL | PRESSE ETOUPE AGITATEUR / LABO | WELLENDICHTUNG | PRENSAESTOPA AGITADOR | |
| 054 | IC158210560 | GUARNIZIONE ANTE- RIORE | RING CYL FRONT | JOINT AVANT | DICHTUNG VORN | JUNTA DELANTERA | |
| 076 | IC158210140 | GUARNIZIONE MOVI- MENTO POSTERIORE | GASKET PLASTIC REAR | GARNITURE MOUV. ARRIERE | DICHTUNG HINTERE LAGERUNG | GUARNICION MOVI- MIENTO TRASERO | |
| 085A | IC155230330 | PASTIGLIA ALBERO AGITATORE | PAD ANTIFRICTION | PASTILLE | FUEHRUNGSGLEITER | PASTILLA | |
| 289 | IC155160160 | LEVA COMANDO ECCENTRICO | HANDLE CAM LOCK | TIGE EXCENTRIQUE | EXZENTERHEBEL | PALETA EXCENTRICA | |
| 290 | IC158262180 | COPERCHIO BOCCA PORTELLO | LID DOOR | COUVERCLE GOU- PILLE PORTILLON | DECKEL | TAPA BOCA PUERTA | |
| 291 | IC158200090 | GUARNIZIONE POR- TELLO | GASKET DOOR | GARNITURE | DICHTUNG | GUARNICION | |
| 304 | IC158200710 | GUARNIZIONE PORTELLINO SCARICO GELATO | GASKET DISPENSE DOOR | BAGUE PORT.SORTIE GLACE NM | DICHTUNG | JUNTA PORTILLO SALIDA HELADO | |

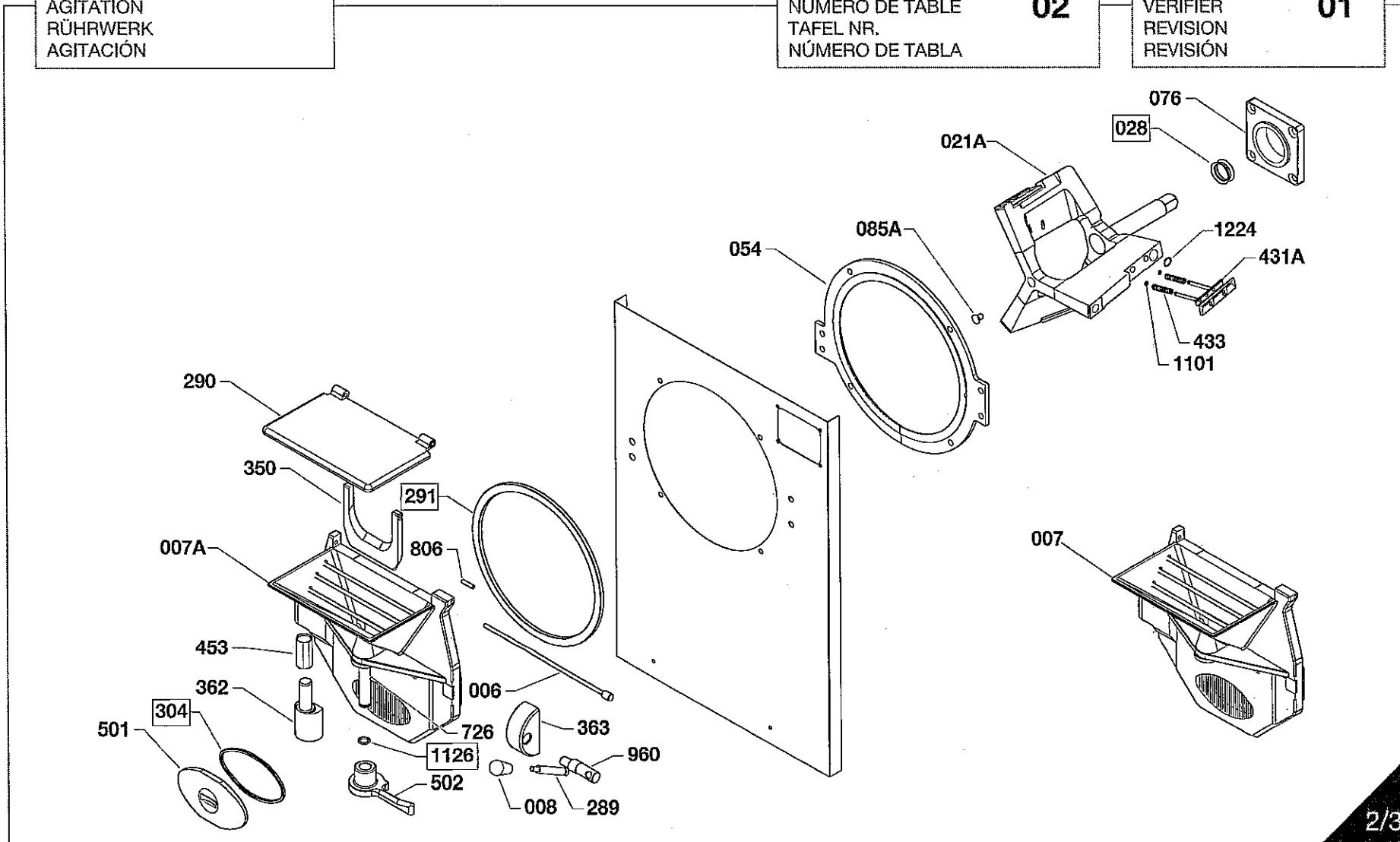
AGITAZIONE
 BEATING
 AGITATION
 RÜHRWERK
 AGITACIÓN

NUMERO TAVOLA
 TABLE NUMBER
 NUMÉRO DE TABLE
 TAFEL NR.
 NÚMERO DE TABLA

02

REVISIONE
 REVISION
 VÉRIFIER
 REVISION
 REVISIÓN

01



| Pos. Pos. Pos. Pos. | Codice Code Code Code Código | Descrizione | Description | Description | Beschreibung | Descripción | Note Notes Notes Anmerkungen Notas |
|------------------------------|--|---|------------------------------|--|------------------------------------|-----------------------------------|--|
| 350 | IC158261140 | COPERCHIO CHIUSURA STP.097208000 | GUARD SPLASH | COUVERCLE FERME- TURE PORTILLON | DECKEL | TAPA CIERRE BOCA PUERTA | |
| 362 | IC164100230 | SUPPORTO PORTELLO | HINGE DOOR | SUPPORT PORTILLON | HALTERUNG | SOPORTE PUERTA | |
| 363 | IC164100240 | SUPPORTO ECCENTRICO | SUPPORT CAM DOOR | SUPPORT EXCENTRIQUE | EXZENTERHALTE- RUNG | SOPORTE EXCÉNTRICO | |
| 431A | IC141125320 | PLACCA AUTOREGOLANTE SA 097216001 | SCRAPER SELF ADJUSTING SA | PLAQUE AUTOREGULATRICE | ABSTREIFER | PLACA AUTORREGULADA | |
| 433 | IC178100250 | MOLLA C I 1,4 8,5 41 7,21 | SPRING | RESSORT PATIN RACLEUR LABOTRONIC | FEDER | CASQUILLO | |
| 453 | IC157130120 | BOCCOLA PORTELLO | BUSHING | COQUILLE | BUCHSE | CASQUILLO | |
| 501 | IC118125050 | PORTELLINO SCARI- CO GELATO | DOOR DISPENSE | PORTILLON SORTIE GLACE | EISAUSSLASSDECKEL | BOCA DE SALIDA HELADO | |
| 502 | IC161150090 | ECCENTRICO PORTELLO SCARICO | HANDLE DISPENSE DOOR | EXCENTRIQUE PORTILLON EVACUATION | EXZENTER ABLASSKLAPPE | EXCÉNTRICA POR- TILLA DESCARGA | |
| 726 | IC155160110 | PERNO GUIDA PORTELLO | PIN GUIDE DOOR | PERNO GUIDA PORTELLO | PERNO GUIDA PORTELLO | PERNO GUIDA POR- TELLO | |
| 806 | IC570300220 | MAGNETE NEODIMIO D.6X25 | MAGNET NEODYMIUM | AIMANT | MAGNET | IMAM | |
| 960 | IC161130110 | ECCENTRICO CHIU- SURA PORTELLO | CAM LOCK DOOR | EXCENTRIQUE FER- METURE PORTILLON | EXZENTER KLAPPENVER- SCHLUSS | EXCÉNTRICA CIERRE PUERTA | |

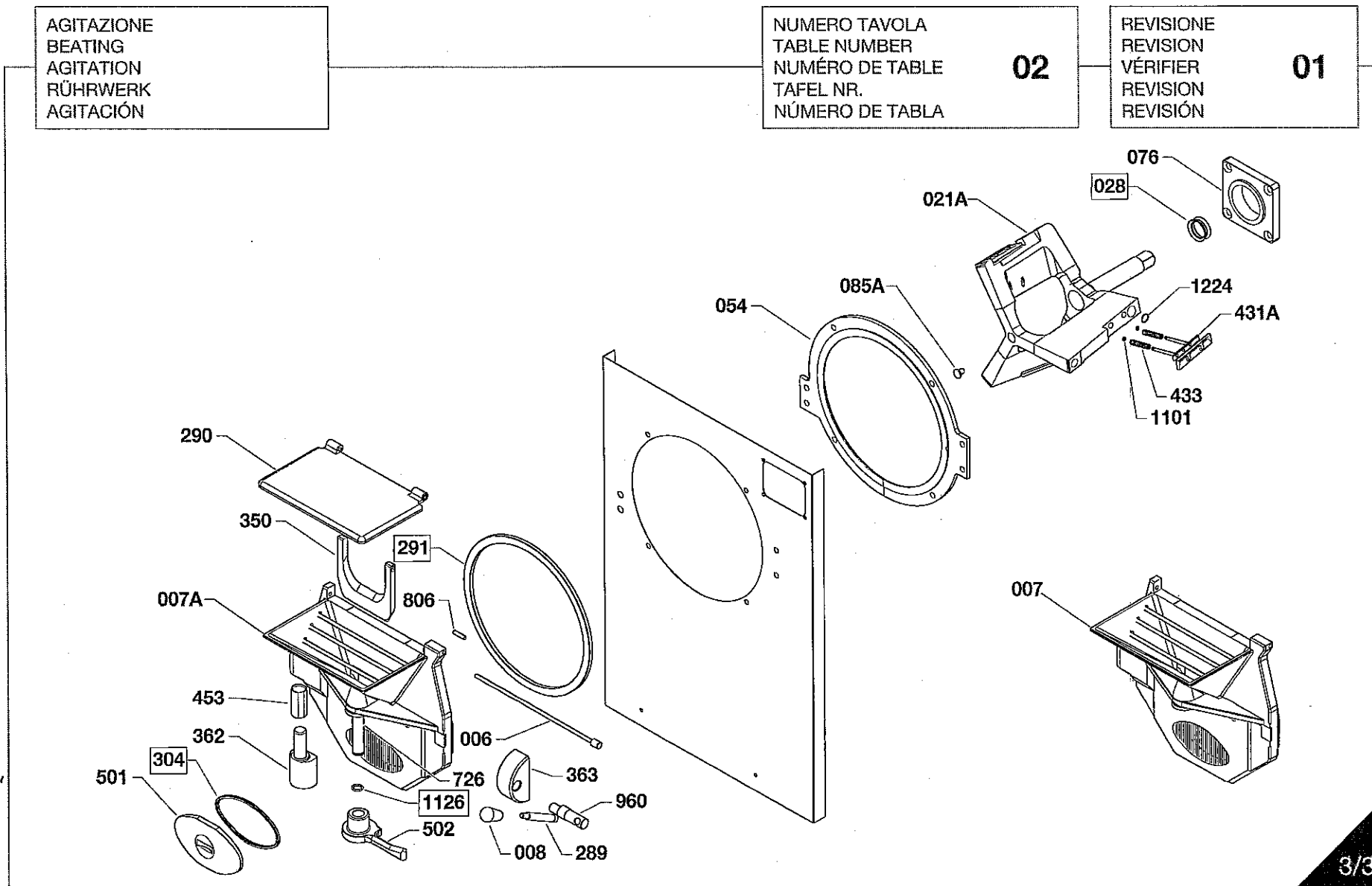
AGITAZIONE
 BEATING
 AGITATION
 RÜHRWERK
 AGITACIÓN

NUMERO TAVOLA
 TABLE NUMBER
 NUMÉRO DE TABLE
 TAFEL NR.
 NÚMERO DE TABLA

02

REVISIONE
 REVISION
 VÉRIFIER
 REVISION
 REVISIÓN

01



3/3

| Pos. Pos. Pos. Pos. | Codice Code Code Código | Descrizione | Description | Description | Beschreibung | Descripción | Note Notes Notes Anmerkungen Notas |
|------------------------------|----------------------------------|-----------------------------|-------------|-------------|--------------|-------------|--|
| 1101 | IC541000101 | OR 1,78 2,9 NB 70 012 | O-RING | JOINT OR | OR-DICHTUNG | JUNTA OR | |
| 1126 | IC541000126 | OR 2,62 13,95 NB 70 3056 | O-RING | JOINT OR | OR-DICHTUNG | JUNTA OR | |
| 1224 | IC541000224 | OR 2,62 13,1 SL 70 117 | O-RING | JOINT OR | OR-DICHTUNG | JUNTA OR | |

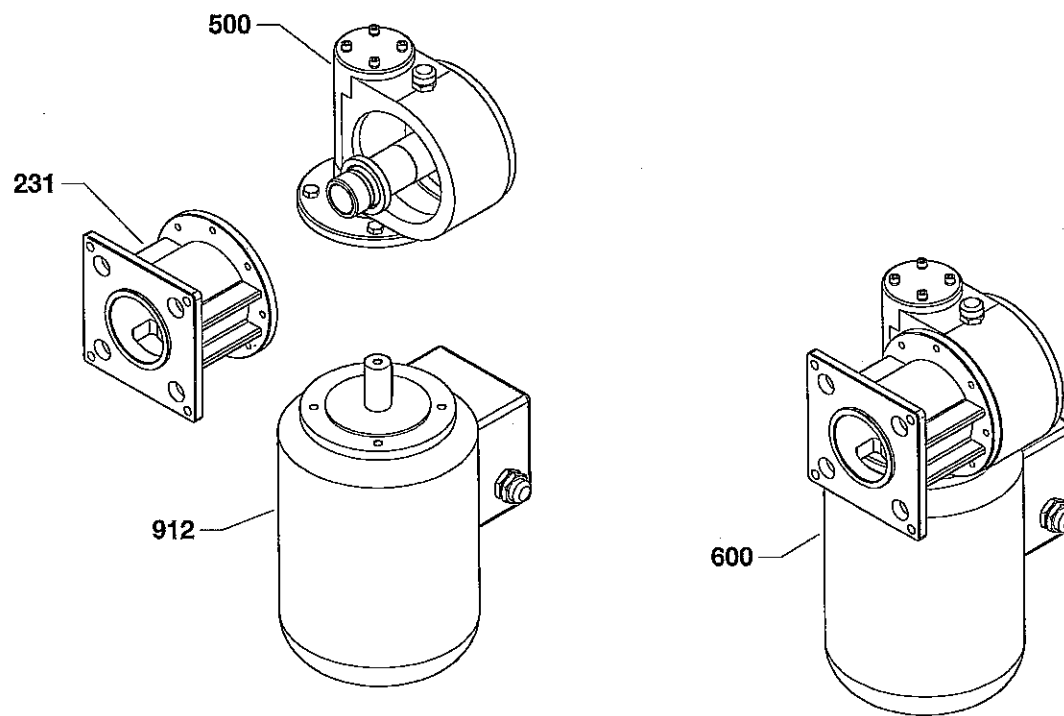
TRANSMISSIONE
TRANSMISSION
TRANSMISSION
ANTRIEB
TRANSMISSION

NUMERO TAVOLA
TABLE NUMBER
NUMÉRO DE TABLE
TAFEL NR.
NÚMERO DE TABLA

03

REVISIONE
REVISION
VÉRIFIER
REVISION
REVISIÓN

01



| Pos. Pos. Pos. Pos. Pos. | Codice Code Code Code Código | Descrizione | Description | Description | Beschreibung | Descripción | Note Notes Notes Anmerkungen Notas |
|--------------------------------------|--|---|---|--|---|---|--|
| 231 | IC158270500 | FLANGIA COLLEGAMENTO | FLANGE-LINK | BRIDE D'ASSEM- BLAGE | ANSCHLUSSFLAN- SCH | BRIDA DE CONEXIÓN | |
| 500 | IC558400041 | RIDUTTORE GAVA- GNI TR26/S 1:10 | GEARBOX | REDUCTEUR | GETRIEBE | REDUCTOR | |
| 600 | IC558422045 | MR.MTR 26/S 1:10 208230/60/3 | GEARMOTOR | MOTO-REDUCTEUR | MR.MTR | MOTORREDUCTOR | |
| 912 | IC552822040 | M.LAFERT AM90LBA4 B14 208230/60/3 | MOTOR LAFERT AM90LBA4 B14 208230/60/3 | MOTEUR LAFERT AM90LBA4 B14 208230/60/3 | MOTOR LAFERT AM90LBA4 B14 208230/60/3 | MOTOR LAFERT AM90LBA4 B14 208230/60/3 | |

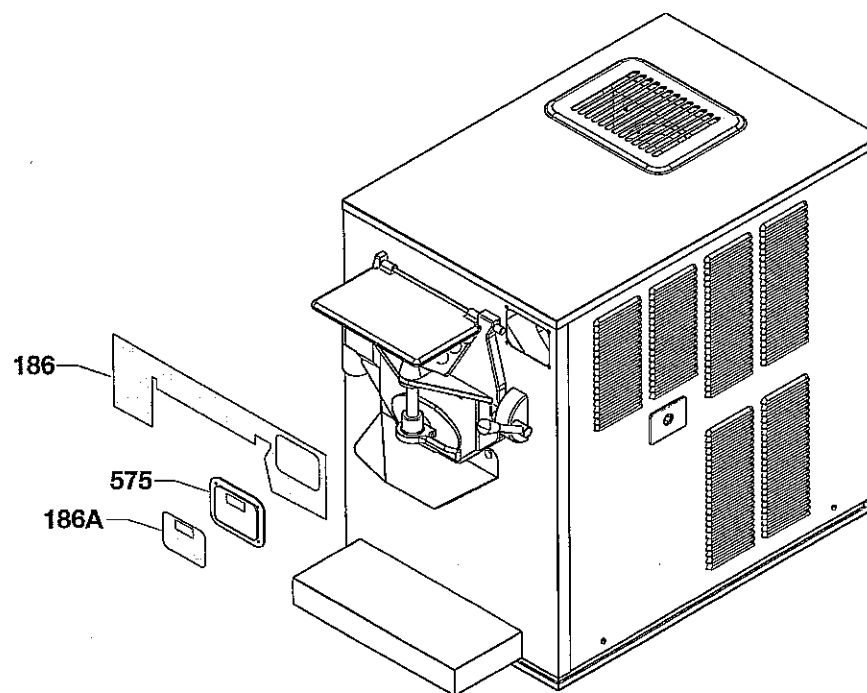
DECALCOMANIE
DECALS
DECALCOMANIE
ABZIEHBILDER
CALCOMANÍAS

NUMERO TAVOLA
TABLE NUMBER
NUMÉRO DE TABLE
TAFEL NR.
NÚMERO DE TABLA

04

REVISIONE
REVISION
VÉRIFIER
REVISION
REVISIÓN

01



1/1

| Pos. Pos. Pos. Pos. | Codice Code Code Código | Descrizione | Description | Description | Beschreibung | Descripción | Note Notes Notes Anmerkungen Notas |
|------------------------------|----------------------------------|------------------------------------|----------------------|--------------------------|---------------------------|-------------------------|--|
| 186 | IC192117340 | DECALC.FRONTALE LB 200-TRONIC | DECAL FRONT | DECALCOMANIE FRONTALE | AUFKLEBER FRONT- SEITE | CALCOMANÍA FRON- TAL | |
| 186A | IC192117420 | DECALC.PULSANT. LB 200-TRONIC G | DECAL | DECALCOMANIE | AUFKLEBER TASTEN | CALCOMANÍA BOTONERA | |
| 575 | IC573800715 | PULSANT. | PUSH-BUTTON PANEL | CLAVIER | TASTATUR | BOTONERA | |

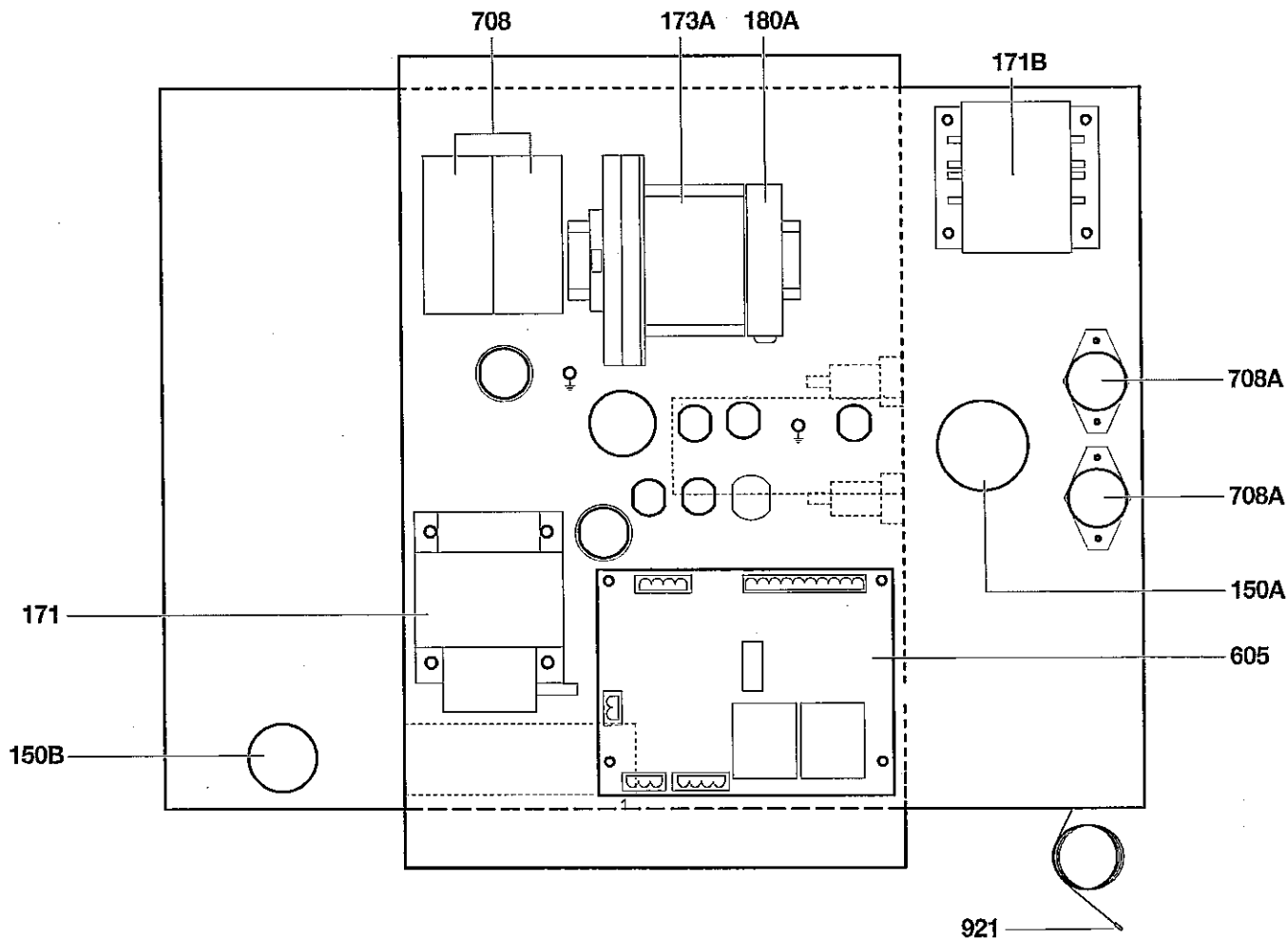
CASSETTA ELETTRICA
 ELECTRICAL BOX
 BOÎTE ÉLECTRIQUE
 ELEKTROKASTEN
 CAJA ELÉCTRICA

NUMERO TAVOLA
 TABLE NUMBER
 NUMÉRO DE TABLE
 TAFEL NR.
 NÚMERO DE TABLA

05

REVISIONE
 REVISION
 VÉRIFIER
 REVISION
 REVISIÓN

01



| Pos. Pos. Pos. Pos. Pos. | Codice Code Code Code Código | Descrizione | Description | Description | Beschreibung | Descripción | Note Notes Notes Notes Anmerkungen Notas |
|--------------------------------------|--|---|-------------------------|--------------------------|----------------------------|---------------------------|---|
| 150A | IC574300118 | COND.EL.MARCIA 8µF 440V CODOLO M8 "UL" | CAPACITOR | CONDENSATEUR | KONDENSATOR | CONDENSADOR | |
| 150B | IC574300170 | COND.EL.MARCIA 20µF 450V "UL" CODOLO M8 | COND.EL.MARCIA | COND.EL.MARCIA | COND.EL.MARCIA | COND.EL.MARCIA | |
| 171 | IC574100325 | TRASF.1~ 75VA TA- 1-81142 STANDARD | TRANSFORMER | TRANSFORMATEUR | TRANSFORMATOR | TRANSFORMADOR | |
| 171B | IC574100304 | TRASF.1~ 30VA 24V/10,5-0-10,5/0- 12 | TRANSF. | TRANSFORMATEUR | TRANSFORMATOR | TRANSFORMADOR | |
| 173A | IC571100228 | CONTATORE A 12- 30-10 24/50-60 | CONTATORE | CONTATORE | CONTATORE | CONTATORE A | |
| 180A | IC571200548 | RELE' FINDER | RELE' FINDER | RELE' FINDER | RELE' FINDER | RELE' FINDER | |
| 605 | IC573700134 | CENTRAL. ELETTRONICA | ELECTRONIC BOARD | CENTRALE ELECTRONIQUE | ELEKTRONISCHE STEUERUNG | CENTRALITA ELECTRÓNICA | |
| 708 | IC576200210 | FUSIBILE BUS- SMANN JIN 35A CLASSE T "UL" | FUSE | FUSIBLE | SICHERUNG | FUSIBLE | |
| 708A | IC576200281 | FUSIBILE OMEGA BUSS KTK-R 10x38 5A 600V | FUSE OMEGA | FUSIBLE | SICHERUNG | FUSIBLE | |
| 921 | IC572910149 | SONDA DRY REED STEM E510 ZB QL | SWITCH-REED DRY STEM | SONDA DRY REED STEM | SONDA DRY REED STEM | SONDA DRY REED STEM | |

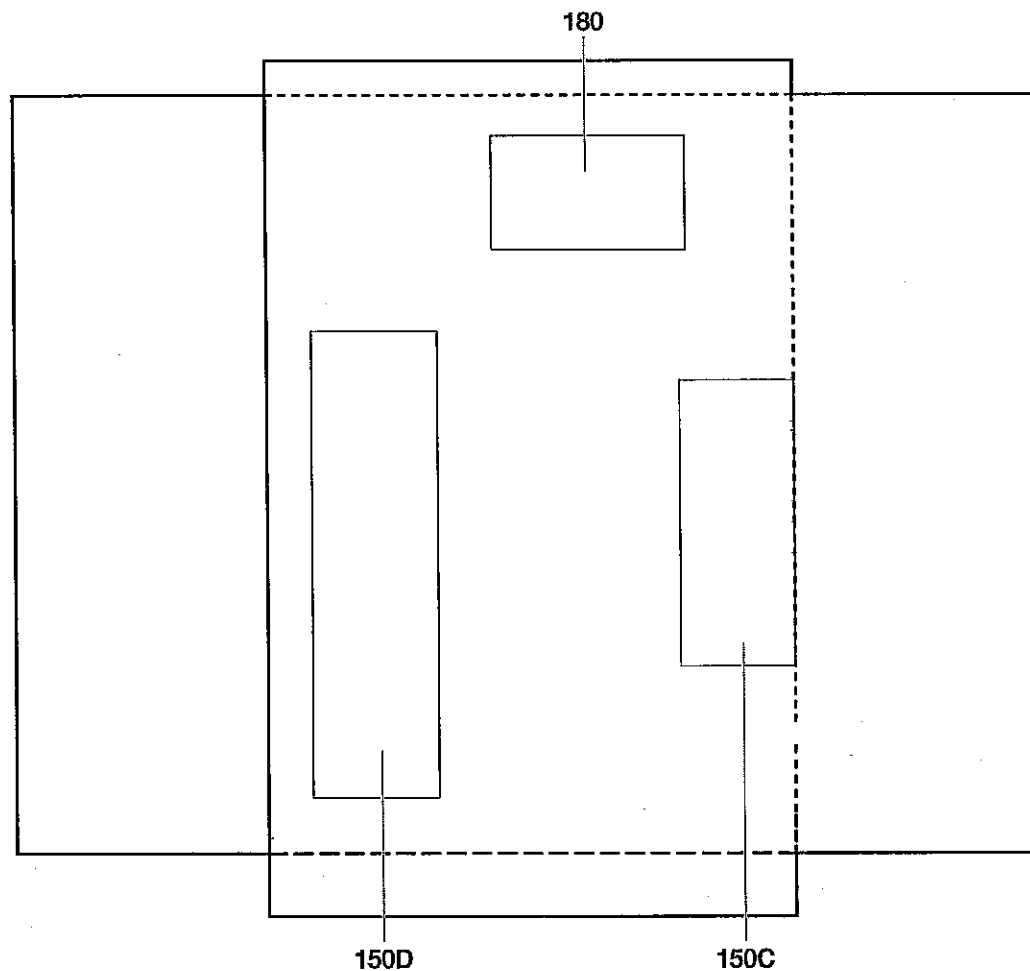
BOX CONDENSATORI COMPRESSORE
BOX CONDENSATORI COMPRESSORE
BOX CONDENSATORI COMPRESSORE
BOX CONDENSATORI COMPRESSORE
BOX CONDENSATORI COMPRESSORE

NUMERO TAVOLA
TABLE NUMBER
NUMÉRO DE TABLE
TAFEL NR.
NÚMERO DE TABLA

05A

REVISIONE
REVISION
VÉRIFIER
REVISION
REVISIÓN

01



| Pos. Pos. Pos. Pos. | Codice Code Code Código | Descrizione | Description | Description | Beschreibung | Descripción | Note Notes Notes Anmerkungen Notas |
|------------------------------|----------------------------------|--|-------------|--------------|--------------|-------------|--|
| 150C | IC574300204 | COND.EL.MARCIA 30µF 370V "UL" | CAPACITOR | CONDENSATEUR | KONDENSATOR | CONDENSADOR | |
| 150D | IC574300375 | COND. EL.AVVIAM.161/ 193µF 250V "UL" | CAPACITOR | CONDENSATEUR | KONDENSATOR | CONDENSADOR | |
| 180 | IC571202006 | RELE' AVVIAM. 3ARR3*3V* "UL" | RELAY | RELAIS | RELAIS | RELE' | |

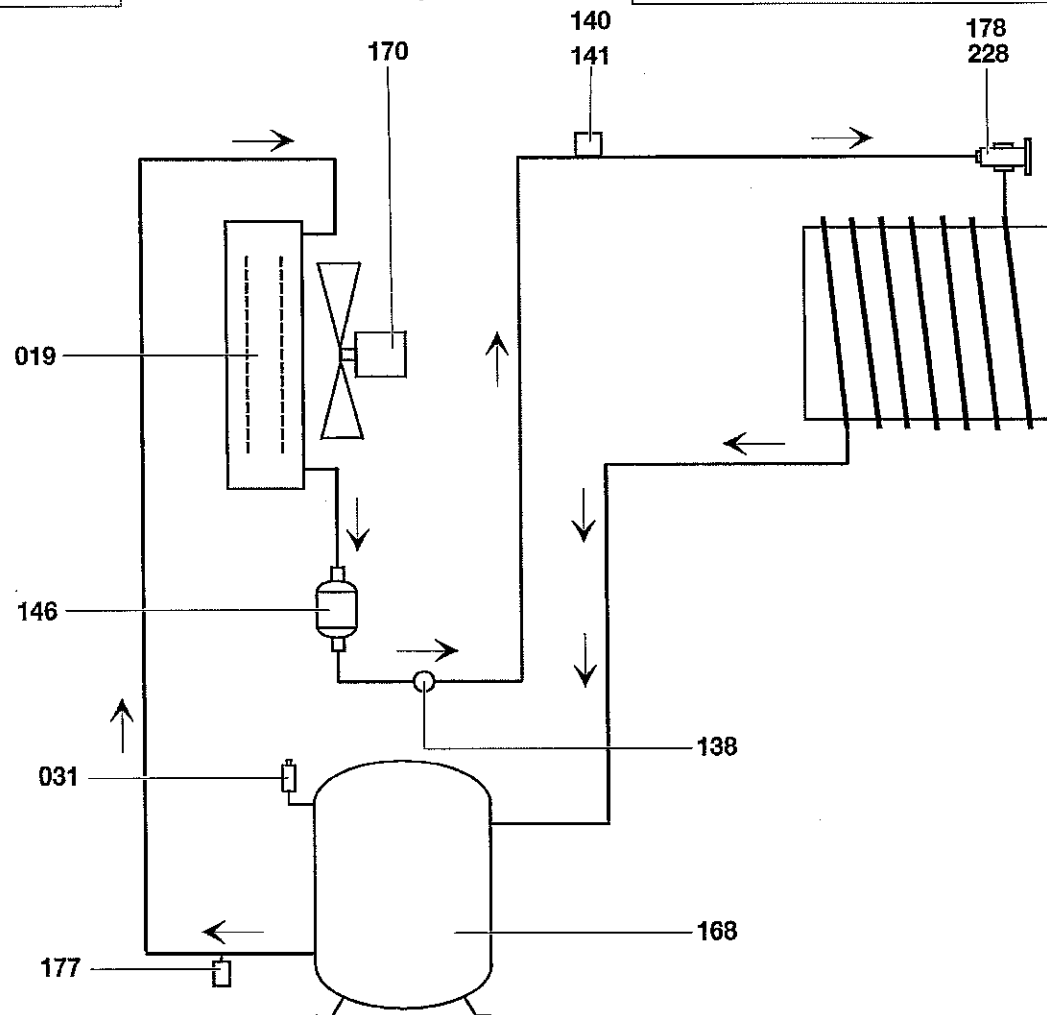
IMPIANTO FRIGORIFERO
 REFRIGERATING SYSTEM
 REFRIGERATEUR
 KÜHLANLAGE
 PLANTA REFRIGERADOR

NUMERO TAVOLA
 TABLE NUMBER
 NUMÉRO DE TABLE
 TAFEL NR.
 NÚMERO DE TABLA

06

REVISIONE
 REVISION
 VÉRIFIER
 REVISION
 REVISIÓN

01



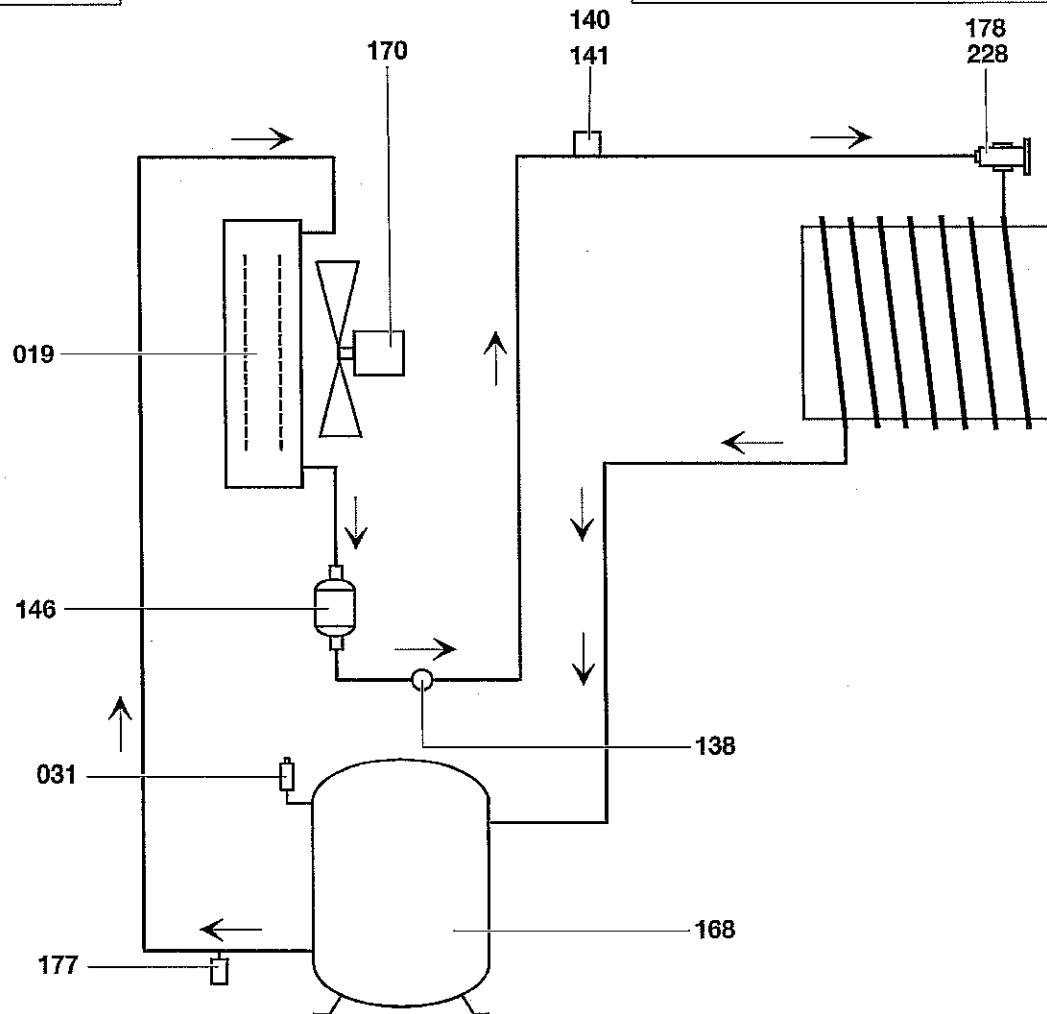
1/2

| Pos. Pos. Pos. Pos. | Codice Code Code Code Código | Descrizione | Description | Description | Beschreibung | Descripción | Note Notes Notes Anmerkungen Notas |
|------------------------------|--|--|------------------------|-----------------------------|-------------------------|--------------------------|--|
| 019 | IC131165770 | CONDENSATORE ARIA ISC | CONDENSER-AIR ISC | CONDENSEUR A AIR ISC | LUFTKONDENSATOR ISC | CONDENSADOR AIRE ISC | |
| 031 | IC581300510 | VALVOLA SERVIZIO A31 720M | VALVE SERVICE | SOUPAPE | VENTIL | VALVULA | |
| 138 | IC581500118 | SPIA LIQU.DAN- FOSS SGN 10S M/F 0141099 UL | SIGHT GLASS | VOYANT LIQUIDE | SCHAUGLAS | VENTANA LIQUIDO | |
| 140 | IC581200820 | CORPO VALV.SOL. DANFOSS EVR 3 032F3233 | BODY VALVE SOLENOID | CORPS ELECTROVANNE | KOERPER MAGNETVENTIL | CUERPO ELECTROVALVULA | |
| 141 | IC581201042 | BOBINA SOLEN. DANFOSS 24V- 50/60 018F8277 | COIL | BOBINE | SPULE | BOBINA | |
| 146 | IC581400115 | FILTRO DAN- FOSS DML 163S 023Z4842 | FILTER DRYER | FILTRO | FILTRO | FILTRO | |
| 168 | IC561202642 | C.BRISTOL L63B752BBCB 208230/60/1 | COMPRESSOR | COMPRESSEUR | KOMPRESSOR | COMPRESOR | |
| 170 | IC551090355 | M.VENT.EMC- S&P RB2C250/ 084"UL"230/5060/1 | M.FAN | M.VENT. | M.LÜFTER | M.VENT | |
| 177 | IC583100134 | PRESSOST.CC80 22/29 061F113000 | CUT OUT PRESSURE | PRESSOSTAT | DRUCKWAECHTER | PRESOSTATO | |
| 178 | IC581101091 | VALV.TERM.TUBE MOP 30 ORIF.05 068U2791 | VALVE THERMOSTATIC | DETENDEUR THERMOSTATIQUE | THERMVENTIL | VALVULA THERMOSTATICA | |

IMPIANTO FRIGORIFERO
 REFRIGERATING SYSTEM
 REFRIGERATEUR
 KÜHLANLAGE
 PLANTA REFRIGERADOR

NUMERO TAVOLA
 TABLE NUMBER
 NUMÉRO DE TABLE
 TAFEL NR.
 NÚMERO DE TABLA **06**

REVISIONE
 REVISION
 VÉRIFIER
 REVISION
 REVISIÓN **01**



| Pos. Pos. Pos. Pos. | Codice Code Code Code Código | Descrizione | Description | Description | Beschreibung | Descripción | Note Notes Notes Anmerkungen Notas |
|------------------------------|--|--|--------------------------------|------------------------------|-----------------------|---------------------------------------|--|
| 228 | IC581110031 | COPERTURA VALV. THERMOSTATICA TUBE | COVER THERMOSTATIC VALVE | COUVERTURE SOUPAPE THERM. | DECKEL THERMVENTIL | COBERTURA VALVULA THERMOSTATICA | |

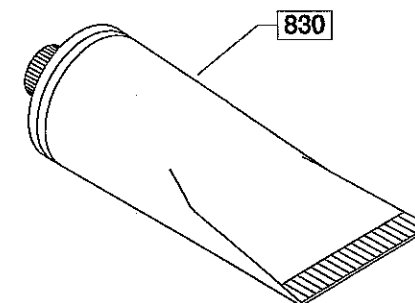
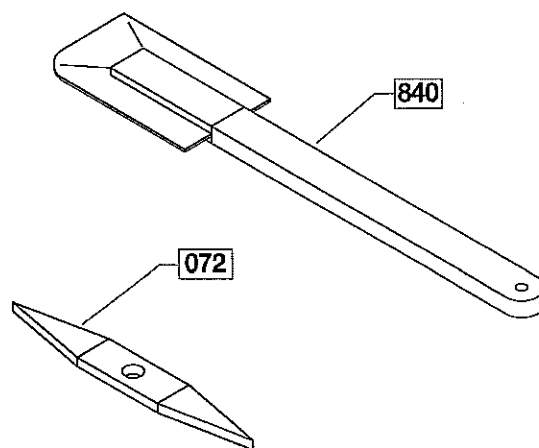
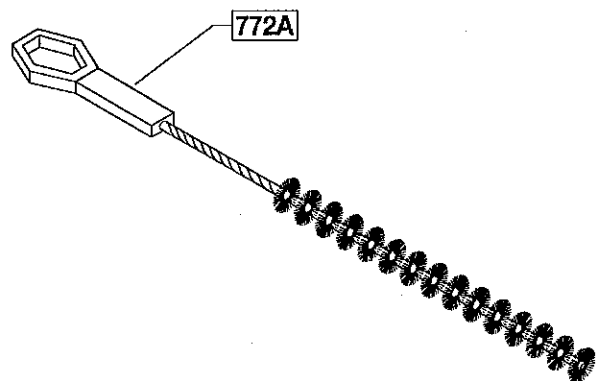
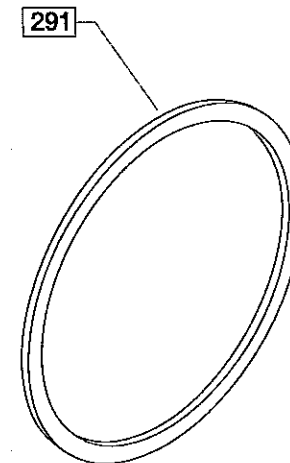
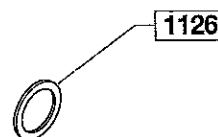
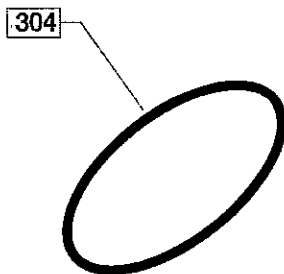
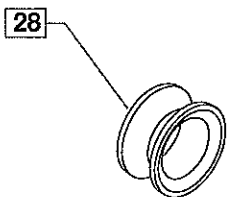
ACCESSORI A CORREDO
ACCOMPANYING ACCESSORIES
ACCESSOIRES D'ACCOMPAGNEMENT
MITGELIEFERTES ZUBEHÖR
ACCESORIOS DE ACOMPAÑAMIENTO

NUMERO TAVOLA
TABLE NUMBER
NUMÉRO DE TABLE
TAFEL NR.
NÚMERO DE TABLA

07

REVISIONE
REVISION
VÉRIFIER
REVISION
REVISIÓN

01



1/1

| Pos. Pos. Pos. Pos. Pos. | Codice Code Code Code Código | Descrizione | Description | Description | Beschreibung | Descripción | Note Notes Notes Anmerkungen Notas |
|--------------------------------------|--|--|-----------------------------|-----------------------------------|-----------------------------------|---------------------------------|--|
| 028 | IC177120060 | PREMISTOPPA AGITATORE HYTREL | BEATER SHAFT SEAL HYTREL | PRESSE ETOUPE AGITATEUR / LABO | WELLENDICHTUNG | PRENSAESTOPA AGITADOR | |
| 072 | IC193010060 | ESTRATTORE OR | EXTRACTOR O-RING | EXTRACTEUR DE JOINTS | O-RING AUSHEBER | EXTRACTOR | |
| 291 | IC158200090 | GUARNIZIONE POR- TELLO | GASKET DOOR | GARNITURE | DICHTUNG | GUARNICION | |
| 304 | IC158200710 | GUARNIZIONE PORTELLINO SCARICO GELATO | GASKET DISPENSE DOOR | BAGUE PORT.SORTIE GLACE NM | DICHTUNG | JUNTA PORTILLO SALIDA HELADO | |
| 772A | IC599100115 | SCOVOLINO D. 15X350 | BRUSH FINE DIA. 15X350 | ECOUVILLON D. 15X350 | REINIGUNGSBUER- STE D. 15X350 | ESCOBILLA D. 15X350 | |
| 830 | IC743000104 | TUBETTO CARPILU- BE BATCH FREE- ZERS g.113 | LUBRICANT FOOD GRADE | LUBRIFICANT ALI- MENTAIRE | LEBENSMITTELFETT BATCH FREEZER | BATCH FREEZERS | |
| 840 | IC178600160 | SPATOLA PULIZIA | SPATULA | SPATULE | SPATEL | PALETA | |
| 1126 | IC541000126 | OR 2,62 13,95 NB 70 3056 | O-RING | JOINT OR | OR-DICHTUNG | JUNTA OR | |