

# CECILLWARE

43-05 20th Ave LIC, NY 11105 i Tel: (800) 935-2211 i (718) 932-1414 i Fax: (718) 932-7860 i [www.cecillware.com](http://www.cecillware.com)

MT-1-MINI, MT-2-MINI, MT-3-MINI



OPERATOR'S MANUAL  
MANUAL DE INSTRUCCIONES

NS15A



---

**GB**

10

---

**E**

29

---

---

**This dispenser is manufactured under one or more of the following U.S.patents and/or other pending patents:  
Este aparato está cubierto por una o varias de las siguientes patentes y/o otras solicitudes de patente ya registradas:  
U.S.A. 4,900,158  
U.S.A. 4,696,417  
U.S.A. 5,713,214  
U.S.A. 5,906,105**

# MT MINI UL

## 1 TECHNICAL CHARACTERISTICS

			MT 1 MINI	MT 2 MINI	MT 3 MINI
Transparent removable bowls	n	1	2	3	3
Capacity of each bowl, approx.	Gal	1.5	1.5	1.5	
Dimensions:					
width	Inches	7.0625	14.1875	21.25	
depth	Inches	18.5	18.5	18.5	
height	Inches	25.625	25.625	25.625	
Net weight, approx.	Lbs	44	84	110	
Gross weight, approx.	Lbs	58	95	119	
Adjustable thermostats	n	1	2	3	
Hermetic compressor					
Air-cooled condenser					
Overload protector					
Noise level lower than 70 dB (A)					



### IMPORTANT

Read electrical ratings written on the data plate of the individual units; the data plate is adhered on the dispensing side panel of the unit, just behind the drip tray (the right side drip tray in multiple bowl models). The serial number of the unit (preceded by the symbol #) is adhered inside the left switch box. Data plate specifications will always supersede the information in this manual.

The electric diagram of the dispenser is located in the inner part of the dispensing side panel.

Specifications are subject to change without notice.

## 2 INTRODUCTION

Please read all sections of this manual thoroughly to familiarize yourself with all aspects of the unit.

Like all mechanical products, this machine will require cleaning and maintenance. Besides, dispenser working can be compromised by operator's mistakes during disassembly and cleaning. It is strongly recommended that personnel responsible for the equipment's daily operations, disassembly, cleaning, sanitizing and assembly, go through these procedures in order to be properly trained and to make sure that no misunderstandings exist.

## 3 INSTALLATION

1 Remove the corrugate container and packing materials and keep them for possible future use.



### IMPORTANT

When handling the machine never grasp it by the bowls or by the evaporator cylinders. The manufacturer refuses all responsibilities for possible damages which may occur through incorrect handling.

2 Inspect the uncrated unit for any possible damage. If damage is found, call the delivering carrier immediately to file a claim.

3 Install the unit on a counter top that will support the combined weight of dispenser and product **bearing in mind what is stated in the preceding point 1 IMPORTANT warning.**

4 A minimum of 15 cm (6") of free air space all around the unit should be allowed to guarantee adequate ventilation.

5 Ensure that the legs are screwed tightly into the base of the machine.

Replace the standard legs originally installed with the 100 mm (4") legs whenever they are provided with the unit.

6 Before plugging the unit in, check if the voltage is the same as that indicated on the data plate. Plug the unit into a grounded, protected single phase electrical supply according to the applicable electrical codes and the specifications of your machine. When the unit has no plug, install a proper grounded plug, in compliance with electrical codes in force in your area, suitable to at least 10 Amp 250 Volt (220-230 Volts 50-60 Hz areas) and 20 Amp 250 Volt (100-115 Volts 50-60 Hz areas) applications. Should you prefer to connect the unit directly to the mains, connect the supply cord to a 2-pole wall breaker, whose contact opening is at least 0.125". Do not use extension cords.



### ATTENTION

**Failure to provide proper electrical ground according to applicable electrical codes could result in serious shock hazard.**

7 The unit doesn't come presanitized from the factory. Before serving products, the dispenser must be disassembled, cleaned and sanitized according to this handbook instructions (chapter 5.3 CLEANING AND SANITIZING PROCEDURES).



### IMPORTANT

**Install the dispenser so that the plug is easily accessible.**

## 4 TO OPERATE SAFELY

1 **Do not** operate the dispenser without reading this operator's manual.

2 **Do not** operate the dispenser unless it is properly grounded.

3 **Do not** use extension cords to connect the dispenser.

4 **Do not** operate the dispenser unless all panels are restrained with screws.

5 **Do not** obstruct air intake and discharge openings: 15 cm (6") minimum air space all around the dispenser.

6 **Do not** put objects or fingers in panels louvers and faucet outlet.

7 **Do not** remove bowls, augers and panels for cleaning or routine maintenance unless the dispenser is disconnected from its power source.

## 5 OPERATING PROCEDURES



### ATTENTION

**In case of damages, the power cord must be replaced by qualified personnel only in order to prevent any shock hazard.**

1 Clean and sanitize the unit according to the instructions in this manual. See chapter 5.3 CLEANING AND SANITIZING

**PROCEDURES.**

2 Fill the bowls with product to the maximum level mark. Do not overfill.

The exact quantity of product (expressed as liters and gallons) is shown by marks on the bowl.

3 In case of products to be diluted with water, potable water, pour water into bowl first, then add correct quantity of product. In case of natural squashes, it is advisable to strain them, in order to prevent pulps from obstructing the faucet outlet.

4 To obtain the best performance and result, use bases designed to be run in Granita freezers. Such bases have a sugar content of 34 degrees Baumé corresponding to 64 degrees Brix.

For soft drinks the bases are to be diluted with more water, on a 1 plus 5/5.5 basis.

In any case follow the syrup manufacturer's instructions for both Granita and soft drink recipes.

If natural juices (e.g. lemon, orange) as well as sugarless products (e.g. coffee) are used, dissolve 5.3 - 7 oz per 0.25 gal.



**IMPORTANT**

**Operate the dispenser with food products only.**



**IMPORTANT**

**However Granita mix may be done, its Brix (sugar percent content) must be at least 13.**

5 Set the control switches as shown in chapter 5.1 DESCRIPTION OF CONTROLS.

6 Always leave the dispenser on, as the refrigeration stops automatically when Granita reaches the proper thickness. The mixers will continue to turn.

**5. 1 DESCRIPTION OF CONTROLS**

The dispenser is equipped with a power switch. In addition each bowl is individually operated by a mixer/refrigeration switch. In fact it is possible to dispense both soft drinks and Granita.

When a bowl is in Soft Drink mode the beverage temperature is controlled by the corresponding thermostat.

When a bowl is in Granita mode the mix viscosity is controlled by the corresponding adjustment screw located in the rear wall of each container (for temperature and viscosity setting make reference to chapter 5.2 OPERATION HELPFUL HINTS).

All the switches are located on the faucet side of the dispenser in switch panels protected by switch covers (see figure 1).

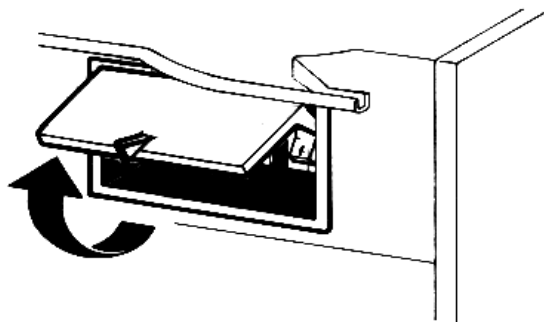


figure 1

With reference to figure 3 dispenser controls functions are as

follows:

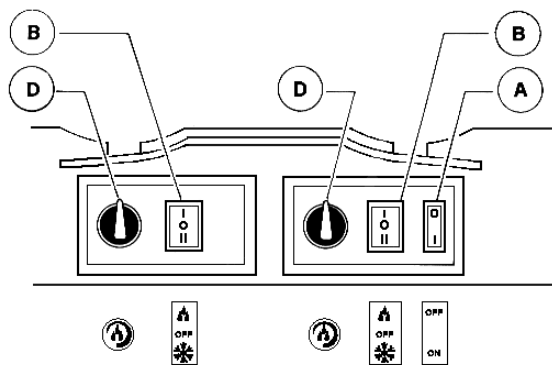


figure 2

**Power switch (A)**

0 position : power is turned OFF to all functions.

I position : power is turned ON to all functions and the other switches are enabled. The fan motor runs.

**Mixer/refrigeration switch (B)**

I position : mixer and refrigeration ON. SOFT DRINK mode.

0 position : OFF.

II position : mixer and refrigeration ON. GRANITA mode.

**Thermostat (D)**

Turn clockwise : to decrease temperature

Turn counterclockwise : to increase temperature

To operate the unit:

- 1 Set the power switch to I position.
- 2 Set the mixer/refrigeration switches as follows:
  - to the I position to get soft drink.
  - to the II position to get Granita.

**5. 2 OPERATION HELPFUL HINTS**

1 **Granita viscosity adjustment:** proper Granita viscosity is factory preset. To change the viscosity, if needed, use a standard screwdriver to turn the adjustment screw located in the rear wall of each container as follows (see figure 3):

- towards right (clockwise) to obtain a thicker product (the indicator F will go down in opening G).
- towards left (counterclockwise) to obtain a thinner product (the indicator F will go up in opening G).

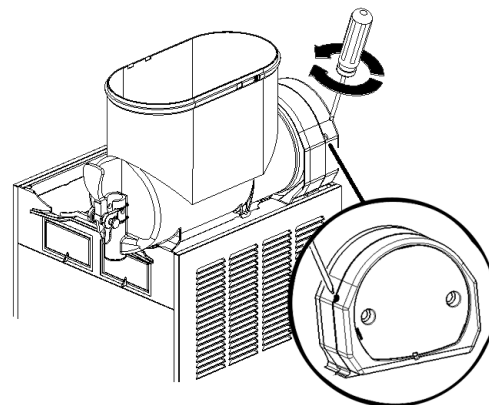


figure 3

2 **Beverage temperature adjustment:** proper beverage temperature is factory preset. To reset, turn the knob located in

# MT MINI UL

each switch box as follows:

- towards right (clockwise) to decrease temperature.
- towards left (counterclockwise) to increase temperature.

**Note: beverage temperature is controlled by the thermostat only when the mixer/refrigeration switch(es) are in I position, Soft Drink mode.**

3 The length of time for freeze down of Granita is governed by many variables, such as ambient temperature, mix initial temperature, sugar content (Brix level) and viscosity setting.

4 To shorten Granita recovery time and increase productivity, it is advisable to pre-chill the product to be used in the dispenser.

5 To shorten Granita recovery time and increase productivity, the bowl should be refilled after the product level drops lower than half of the evaporator cylinder and at the start of each day.

6 For good product conservation the dispenser must run overnight, at least in Soft Drink mode.

If this is not possible and product is left in the bowls overnight, the mixer/refrigeration switches must be set to the I position at least one hour before the unit is switched off. This eliminates any block of iced product forming overnight, which could result in damage to mixers or to their motor when the unit is switched back on. In any case, before the unit is restarted, make sure that no blocks of ice have been formed; if so, they are to be removed before the unit is switched on. Overnight operation in drink mode also eliminates possible ice accumulation from condensation all around the bowls.

7 Mixers must not be turned off when frozen product is in the bowl: if not agitated, the product may freeze to a solid block of ice. If the mixers are turned back on in this situation, damage to the mixers and their motor may result. Therefore, mixers may be restarted only after product is melted.

8 The dispenser is equipped with a magnetic coupling by which the gear motor (located outside the bowl) drives the mixers (inside the bowl).

The magnetic drive operates as an "intelligent clutch" able to automatically disconnect the mixers in case they are seized by ice or other causes.

This inconvenience can be soon noticed since an intermittent dull noise warns that mixers are still.

In this case it is necessary to unplug immediately the dispenser, empty the bowl and eliminate the cause of seizing.

9 The dispenser must be able to emit heat.

In case it seems excessive, check that no heating source is close to the unit and air flow through the slotted panels is not obstructed by wall or boxes. Allow at least 15 cm (6") of free clearance all around the dispenser.

In any case if the product in the bowls is frozen and the pressure switch warning light is OFF the unit is running properly.

10 Restrictor cap: when the unit is used in Soft Drink mode it is advisable to install the restrictor cap on the faucet outlet in order to reduce the drink outflow (see figure 4).

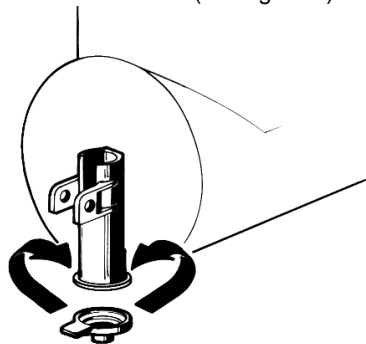


figure 4

## 5.3 CLEANING AND SANITIZING PROCEDURES

1 Cleaning and sanitizing of the dispenser are recommended to guarantee the conservation of the best product taste and the highest unit efficiency. This section is a procedural guideline only and is subject to the requirements of the local Health Authorities.

2 Prior to the disassembly and cleaning, the machine must be emptied of product. To do this proceed as follows:

- set the power switch to I position
- set mixer/refrigeration switch(es) to I position (Soft Drink mode)
- place a pail under each faucet and drain all product from bowls
- set all control switches to the 0 position

### 5.3.1 DISASSEMBLY



#### ATTENTION

**Before any disassembly and/or cleaning procedure make sure that the dispenser is disconnected from its power source by unplugging it or switching off the 2-pole wall breaker.**

- 1 Remove cover from the bowl.
- 2 Remove the bowl by lifting its faucet side up and off the fastening hooks (see figure 5) and slide it out (see figure 6).

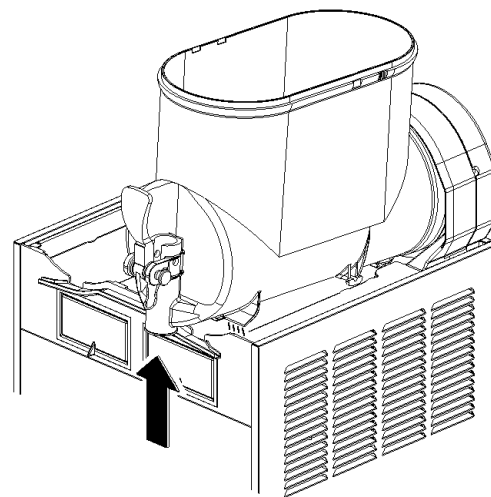


figure 5

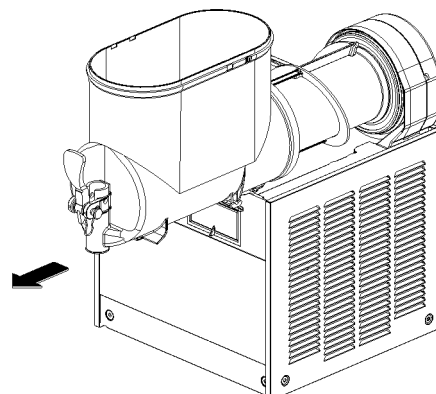


figure 6

- 3 Slide the outer spiral out (see figure 7) and then Outside

magnetic rotor assembly (see figure 8).

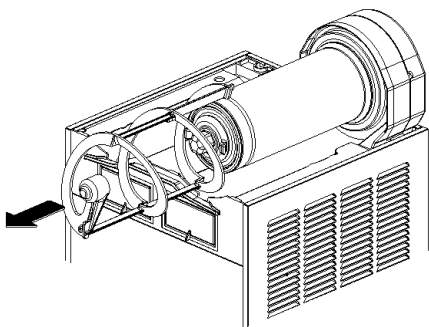


figure 7

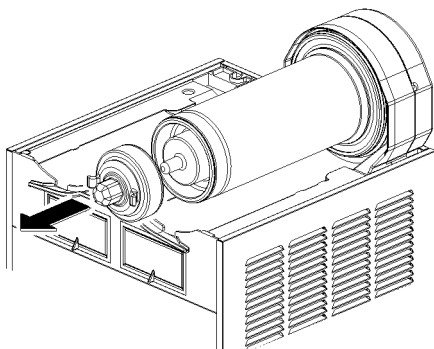


figure 8

4 Remove the bowl gasket from its seat (see figure 9).

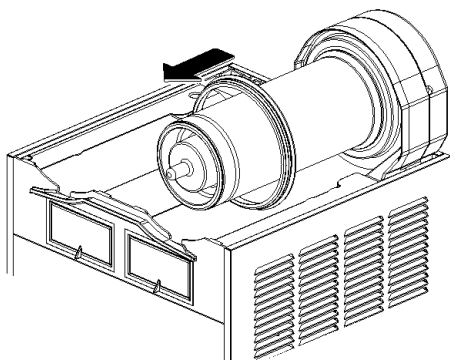


figure 9

5 Dismantle the faucet assembly (see figure 10).

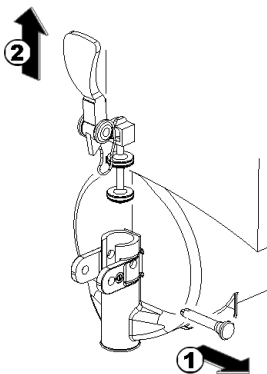


figure 10

6 Slide the drip tray out and empty it.

### 5. 3. 2 CLEANING



**IMPORTANT**

**Do not attempt to wash any machine components in a dishwasher.**



**ATTENTION**

**Before any disassembly and/or cleaning procedure make sure that the dispenser is disconnected from its power source.**

1 Prepare at least two gallons of a mild cleaning solution of warm (45-60 °C 120-140 °F) potable water and dishwashing detergent. Do not use abrasive detergent.

Important: if present, follow label directions, as too strong a solution can cause parts damage, while too mild a solution will not provide adequate cleaning.



**IMPORTANT**

**In order to prevent any damages to the dispenser use only a detergent suitable with plastic parts.**

2 Using a brush, suitable for the purpose, thoroughly clean all disassembled parts in the cleaning solution.



**ATTENTION**

**When cleaning the machine, do not allow excessive amounts of water around the electrically operated components of the unit. Electrical shock or damage to the machine may result.**

3 Do not immerse the lighted top covers in liquid. Wash them apart with the cleaning solution. Carefully clean their undersides.

4 In the same manner clean the evaporator cylinder(s) using a soft bristle brush.

5 Rinse all cleaned parts with cool clean water.

### 5. 3. 3 SANITIZING

**Sanitizing should be performed immediately prior to starting the machine. Do not allow the unit to sit for extended periods of time after sanitization.**

1 Wash hands with a suitable antibacterial soap.

2 Prepare at least two gallons of a warm (45-60 °C 120-140 °F) sanitizing solution (100 PPM available chlorine concentration or 1 spoon of sodium hypochlorite diluted with 0.5 gal of water) according to your local Health Codes and manufacturer's specifications.

3 Place the parts in the sanitizing solution for five minutes.

4 Do not immerse the lighted top covers in liquid. Carefully wash their undersides with the sanitizing solution.

5 Place the sanitized parts on a clean dry surface to air dry.

6 Wipe clean all exterior surfaces of the unit. Do not use abrasive cleaner.

## 5. 3. 4 ASSEMBLY

- 1 Slide the drip tray into place.
- 2 Lubrificare il pistone rubinetto e il rotore magnetico esterno (see points A, B and C of figure 11) only with the grease supplied by the manufacturer or other **food grade approved** lubricant.

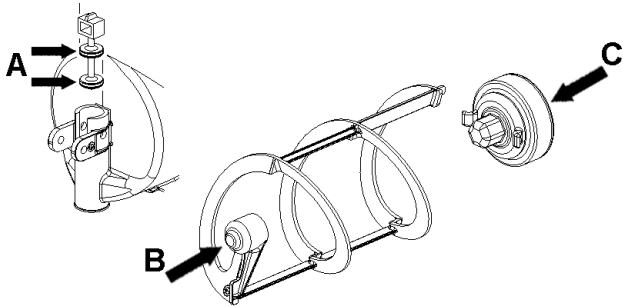


figure 11

- 3 Assemble the faucet by reversing the disassembly steps (see figure 10)
- 4 Fit bowl gasket around its seat.  
Note: the largest brim of gasket must face against the rear wall (see figure 12).

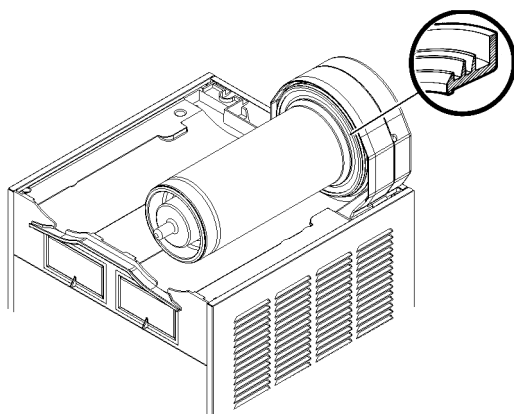


figure 12

- 5 Insert the magnetic outside rotor in the evaporator taking care to accompany it to the end (see figure 13).

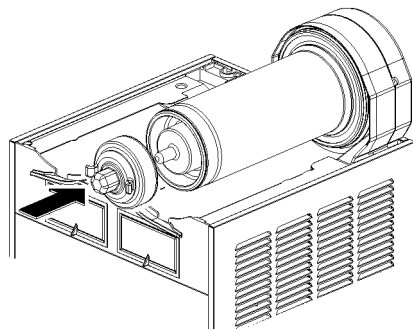


figure 13

- 6 Install the outer spiral. Slide it over the evaporator until its hexagonal front notch engages with the hexagonal exposed

end of the magnetic outside rotor (see figure 14).

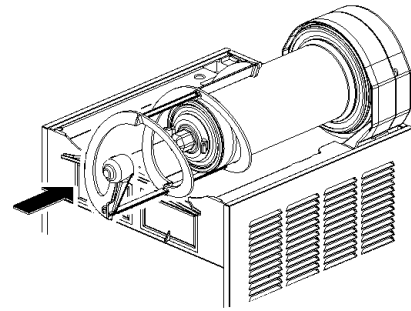


figure 14

- 7 Push the bowl towards the rear wall of the unit until it fits snugly around the gasket and its front fastening hooks are properly engaged (see figure 15).

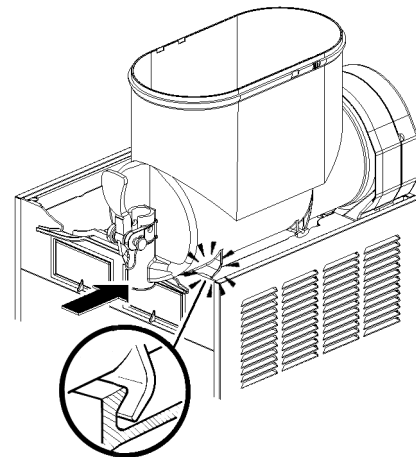


figure 15

- 8 Use fresh product to chase any remaining sanitizer from the bottom of the bowl(s). Drain this solution. Do not rinse out the machine.

## 5. 4 IN-PLACE SANITIZATION

**The In-Place Sanitization prior to starting the machine may be performed, if needed, only as further precaution, in addition to the Disassembled Parts Sanitization described before, but never in lieu of it.**

- 1 Prepare two gallons of a warm (45-60°C, 120-140 °F) sanitizing solution (100 PPM available chlorine concentration or 1 spoon of sodium hypochlorite diluted with 0.5 gal of water) according to your local Health Codes and manufacturer's specifications.
- 2 Pour the solution into the bowl(s).
- 3 Using a brush suitable for the purpose, wipe the solution on all surfaces protruding above the solution-level and on the underside of the top cover(s).
- 4 Install the top cover(s) and operate the unit. Allow the solution to agitate for about two minutes. Drain the solution out of the bowl(s).
- 5 Use fresh product to chase any remaining sanitizer from the bottom of the bowl(s). Drain this solution. Do not rinse out the machine.

## 6 ROUTINE MAINTENANCE

- 1 **Daily:** inspect the machine for signs of product leaks past seals and gaskets. If proper assembly does not stop leaks around seals or gaskets, check for improper lubrication, worn



or damaged parts. Replace parts as needed.

2 **Monthly on MT 2 MINI and MT 3 MINI models:** remove the dust from the condenser filter.



**ATTENTION**

Before any disassembly and/or cleaning procedure make sure that the dispenser is disconnected from its power source by unplugging it or switching off the 2-pole wall breaker.



**ATTENTION**

Condenser fins are very sharp. Use extreme caution when cleaning.

6. 1 MAINTENANCE (TO BE CARRIED OUT BY QUALIFIED SERVICE PERSONNEL ONLY)

1 **Monthly on MT 1 MINI model:** remove the dust from the condenser. To do this unplug the unit or switch off the 2-pole wall breaker and then remove the panels.

2 **Annually:** remove the panels and clean the inside of the machine including the base, side panels, condenser, etc.

3 Never remove the insulating jacket from around the suction tubing of the evaporator (the copper tubing located on the right side of gear motor). In case the insulating jacket is missing replace the entire parts with original spare parts from the supplier.

4 In order to prevent any damages to the dispenser, all plastics parts must be lubricated only with grease supplied by the manufacturer or with another lubricating product suitable for polycarbonate.



**IMPORTANT**

The electric diagram of the dispenser is located in the inner part of the dispensing side panel.

7 DEFROST TIMER

The Defrost Timer, located on the right side of the unit, automatically switches the dispenser from Granita mode to Soft Drink mode and the opposite. This means that during defrost periods frozen Granita will melt to thermostat setting temperature and once defrost period has expired, the product

automatically freezes down again to Granita setting viscosity.

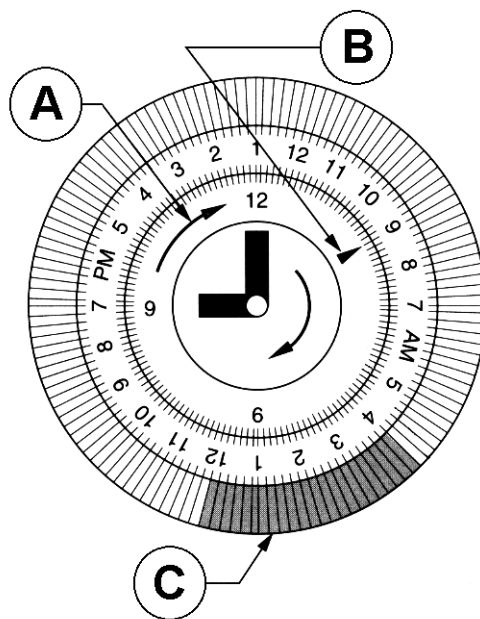


figure 16

To operate the defrost timer proceed as follows (see figure 16).

1 Set the time of the day by rotating the dial clockwise (arrow A). **Never rotate the timer counterclockwise** as this would damage the internal mechanism. Align the current time of day with the arrow B on the timer face. This is a 24 hour timer showing both A.M. and P.M.

2 Program the defrost timer by pushing out on the tabs C that correspond to the hours desired to defrost. Each tab represents 15 minutes. A minimum of four to eight hours are required to defrost frozen beverage (depending on ambient conditions).

**Note:** when all the tabs are pushed in the defrost function is OFF (the machine operates as if it were not equipped with Defrost Timer).

# MT MINI UL

## 1 CARACTERISTICAS TECNICAS

			MT MINI 1	MT MINI 2	MT MINI 3
Contenedores desmontables	transparentes	n	1	2	3
Capacidad de cada contenedor, aproximada	Gal		1.5	1.5	1.5
Dimensiones:					
ancho	Inches		7.0625	14.1875	21.25
largo	Inches		18.5	18.5	18.5
alto	Inches		25.625	25.625	25.625
Peso neto, aproximado	Lbs		44	84	110
Peso bruto, aproximado	Lbs		58	95	119
Termostatos regulables	n		1	2	3
Motocompresor hermético					
Condensador a ventilación forzada					
Guardamotor					
Nivel de ruido inferior a 70dB (A)					

2 Controlar que el distribuidor no haya sufrido daños durante el transporte. De haberlos sufrido, reclamar inmediatamente al transportista.

3 Colocar el distribuidor en un mostrador en grado de sostener su peso incluso con la carga completa, **teniendo en cuenta cuanto indicado en IMPORTANTE, del punto 1.**

4 Dejar un espacio libre de por lo menos 6" alrededor del aparato para no impedir el flujo de aire de refrigeración.

5 Controlar la estabilidad del aparato, regulando la altura de los pies. En el caso en que el distribuidor esté provisto de una serie de pies altos (4" aproximadamente), ésta debe ser sustituida a la original.

6 Antes de enchufar el aparato con la toma de corriente controlar que la tensión de la red sea aquella indicada en la placa. Enchufar el distribuidor a una red monofásica, sirviéndose de una toma completa de tierra, según lo previsto por la normativa vigente. Si el distribuidor resulta desprovisto de enchufe, conectar al cable un enchufe que esté en conformidad con las normas vigentes de vuestro país, provisto de espiga o contactos de tierra y adecuado para corrientes de por lo menos 10A y tensión de 250V (para áreas con tensiones de 220V-230V, 50Hz-60Hz) y 20 A y tensión de 250V (para áreas con tensiones de 110V-115V 50-60Hz). En el supuesto de realizar una conexión fija a la red, conectar el cable a un interruptor de pared de tipo bipolar con apertura de contactos de 0.125" por lo menos. No utilizar cordones conectores para enchufar el aparato al suministro de corriente eléctrica.



### IMPORTANTE

**Características eléctricas: leer los datos detallados en la placa del distribuidor; ésta se encuentra en la parte inferior del panel frontal, detrás del cajón recoge-gotas de la derecha. Los números de matrícula de los aparatos (precedidos por el símbolo#) están colocados dentro del alojamiento portainterruptores de izquierda. Los datos detallados sobre la placa son aquellos a los que se debe siempre hacer referencia.**

**El diagrama eléctrico del distribuidor se encuentra dentro del panel lado grifo.**

Se reserva el derecho de efectuar modificaciones sin previo aviso.

## 2 INTRODUCCION

Les aconsejamos que lean atentamente este manual de instrucciones para conocer todas las características del distribuidor.

También este distribuidor, como todos los productos mecánicos, necesita de limpieza y cuidado. Se corre el riesgo de impedir su buen funcionamiento si se verificasen errores cometidos por el usuario durante la fase de desmontaje y limpieza. Por dicho motivo es importante que los procedimientos de desmontaje, lavado, higienización y limpieza, siendo operaciones cotidianas, sean conocidas sin posibilidad de error por todo el personal responsable del distribuidor.

## 3 INSTALACIÓN

1 Quitar el distribuidor del embalaje: guardar este último por si hubiera cualquier eventualidad.



### IMPORTANTE

**En la operación de transporte o levantamiento no se debe coger nunca el distribuidor por sus contenedores transparentes o por los cilindros evaporadores. El fabricante no responde de los daños acarreados por estas maniobras equivocadas.**



### ATTENCION

**Cerciorarse que el aparato esté correctamente conectado a tierra; en caso contrario es posible causar shock eléctricos a las personas o dañar el distribuidor.**

7 El distribuidor no sale de fábrica prelavado e higienizado. Antes de utilizarlo debe ser desarmado, lavado e higienizado siguiendo cuanto se ha dicho en las presentes instrucciones del capítulo 5.3 LIMPIEZA.

## 4 PARA UN FUNCIONAMIENTO SEGURO

1 **No** utilizar el distribuidor antes de haber leído el presente manual de instrucciones.

2 **No** utilizar el distribuidor si no está correctamente conectado a tierra.

3 **No** utilizar cordones conectores para enchufar el distribuidor al suministro de corriente.

4 **No** poner en funcionamiento el distribuidor si los paneles no se encuentran en su lugar y fijados con los tornillos.

5 **No** impedir el flujo de aire de refrigeración, dejar un espacio libre de por lo menos 6" alrededor del distribuidor.

6 **No** introducir los dedos u objetos en las ranuras de los paneles y en la apertura del grifo.

7 **No** desmontar el contenedor, no quitar los mezcladores o paneles para limpieza o mantenimiento sin cerciorarse que el distribuidor esté desenchufado del suministro de corriente.

## 5 INSTRUCCIONES DE EMPLEO



### ATTENCION

**Si el cable de alimentación está dañado, debe ser sustituido por el fabricante o desde su servicio de asistencia técnica o, en cualquier caso, por una persona cualificada con el fin de evitar cualquier tipo de riesgo.**

1 Lavar e higienizar el distribuidor antes de utilizarlo siguiendo cuanto se ha dicho en las presentes instrucciones en el capítulo 5.3 LIMPIEZA.

2 Llenar los contenedores con el producto deseado hasta

que alcance el nivel máximo indicado (no superar dicho nivel). La cantidad de producto presente en el contenedor (en litros o en galones) está indicada con señales específicas situadas en el contenedor mismo.

3 Si se quiere distribuir productos concentrados a diluirse con agua, verter en los contenedores el agua agregando a continuación la cantidad necesaria de producto concentrado, según las instrucciones del fabricante. Si se quieren emplear zumos naturales se recomienda filtrarlos para evitar que las partes sólidas puedan obstruir el pasaje del grifo.

4 Para obtener los mejores resultados emplear como productos base, jarabes expresamente preparados para Granizado.

Si se desea obtener una bebida en vez de un granizado, cada litro de jarabe debe ser diluido con 1.3-1.5 gal de agua (0.25 gal más respecto del necesario para el granizado).

Es una buena regla seguir las instrucciones dictadas por el fabricante de jarabes.

Si se usan productos naturales (por ejemplo zumo de limón o naranja) o bien bebidas no azucaradas (por ejemplo café), disolver 5.3-7 oz per 0.25 gal azúcar por cada litro de producto.



**IMPORTANTE**

En todo caso, una vez obtenida la mezcla, su grado de Brix (porcentaje de azúcar) debe ser superior a 13.



**IMPORTANTE**

Utilizar el distribuidor solamente con productos alimenticios.

5 Accionar los interruptores (ver capítulo 5.1 DESCRIPCIÓN DE LOS MANDOS).

6 El distribuidor debe funcionar siempre con las tapas montadas para prevenir una posible contaminación del producto.

7 El distribuidor debe funcionar ininterrumpidamente: el sistema de refrigeración de cada contenedor se parará automáticamente cuando el producto esté listo para ser distribuido. Los dispositivos mezcladores seguirán funcionando.

**5. 1 DESCRIPCIÓN DE LOS MANDOS**

El distribuidor está provisto de un interruptor general. Cada uno de los contenedores está provisto de un interruptor para arrancar la mezcla y para seleccionar el tipo de refrigeración del producto. En efecto, es posible obtener tanto bebidas frías como productos helados como granizados o sorbetes.

Cuando se selecciona la función bebida, la temperatura de dicha bebida está regulada por el correspondiente termostato. Cuando se selecciona la función granizado la densidad del producto se regula con el correspondiente tornillo de ajuste que se encuentra en cada una de las paredes posteriores del distribuidor (para regular la temperatura y la densidad ver el capítulo 5.2 SUGERENCIAS).

Todos los interruptores están colocados en la parte frontal del distribuidor (lado grifos) y están protegidos con una ventanilla

apropiada (ver figura 1).

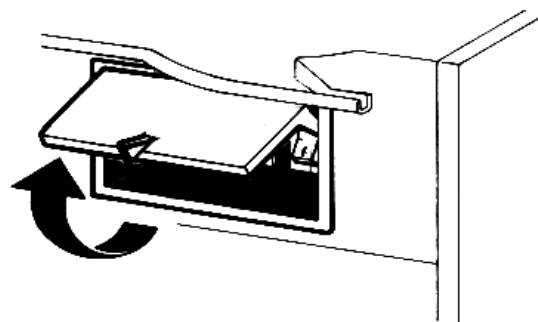


figura 1

Las funciones de los mandos del distribuidor se ilustran a continuación:

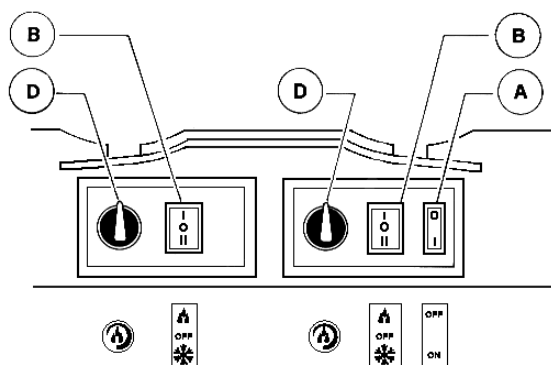


figura 2

**Interruptor general (A)**

- Posición 0 : el distribuidor está apagado.
- Posición I : el distribuidor está habilitado para el funcionamiento. Ventilador en función.

**Interruptor mezcladores y refrigeración (B)**

- Posición I : mezcladores y refrigeración en función. Posición BEBIDA.
- Posición 0 : mezcladores y refrigeración apagados.
- Posición II : mezcladores y refrigeración en función. Posición GRANIZADO.

**Termostato (D)**

- Rotación en sentido horario : bebida más fría
- Rotación en sentido antihorario : bebida menos fría

Para el funcionamiento del distribuidor:

- 1 Colocar el interruptor general en la posición I.
- 2 Ajustar los interruptores mezcladores y refrigeración:
  - en la posición I si se quiere refrigerar el producto sin helarlo
  - en la posición II si se quiere obtener el granizado.

**5. 2 SUGERENCIAS**

1 **Regulación de la densidad:** la densidad óptima del granizado ha sido ya ajustada en fábrica. Si se quiere variar dicha densidad girar con un destornillador el correspondiente tornillo de ajuste situado en cada una de las paredes posteriores del distribuidor (ver figura 3):

- hacia derecha (sentido horario) para obtener un granizado más denso (el índice F en la ventanilla G se desplazará hacia abajo).
- hacia izquierda (sentido antihorario) para obtener un

granizado menos denso (el índice F en la ventanilla G se desplazará hacia arriba).

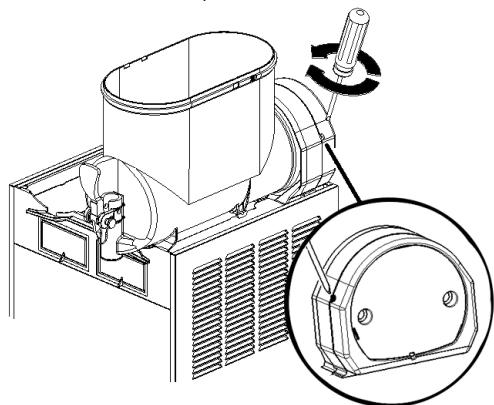


figura 3

2 **Regulación de la temperatura:** la temperatura óptima de las bebidas (para el funcionamiento del distribuidor como refrigerador de bebidas y no como granizador) ha sido regulada en la fábrica. Si se quiere variar su valor, girar el pomo colocado en cada una de los paneles portainterruptores:

- hacia derecha (sentido horario) para obtener una bebida más fría.
- hacia izquierda (sentido antihorario) para obtener una bebida menos fría.

**NOTA : la regulación de la temperatura de la bebida se hace efectiva solamente cuando el interruptor mezcladores y refrigeración correspondiente se encuentra en la posición Bebida.**

3 El tiempo necesario para obtener la refrigeración del producto varía en función de distintos factores como por ejemplo la temperatura ambiente, la temperatura inicial del producto, su contenido de azúcar (grado Brix) y la regulación de la densidad.

4 Llenando los contenedores con producto ya enfriado previamente se aumenta ulteriormente la eficiencia del distribuidor.

5 Para disminuir los tiempos de restablecimiento y, por lo tanto, aumentar la autonomía del distribuidor, volver a llenar cuando el nivel del producto desciende a mitad evaporador.

6 Para conseguir una buena conservación del producto, el distribuidor debe funcionar también durante la noche, por lo menos en la posición Bebida. Si esto no fuera posible y los productos permanecieran en los contenedores con el distribuidor parado es conveniente, una hora antes de apagar el aparato, llevar los interruptores mezcladores y refrigeración en la posición I; ésto evita la formación de bloques o crostas de hielo que podrían dañar los dispositivos mezcladores. En el caso en que se formasen dichos bloques de hielo, estos deberían ser quitados antes de volver a poner en función el distribuidor. El funcionamiento nocturno en la posición Bebida elimina además la posible formación de hielo (debido a la condensación de la humedad atmosférica) en el exterior de los contenedores.

7 No parar jamás los mezcladores cuando hay granizado en los contenedores; si no se mezcla, dicho granizado puede agregarse y formar un único bloque de hielo. Volviendo a arrancar los mezcladores en estas condiciones (sin esperar que el hielo se derrita) pueden dañarse.

8 El distribuidor está provisto de una junta magnética para la transmisión del movimiento a los mezcladores. Para prevenir daños al aparato, en caso de bloqueo de los mezcladores debido a bloques de hielo u otro dentro de los contenedores, la junta magnética se encarga de desconectar automáticamente la transmisión del movimiento.

Dicha situación puede ser identificada tanto por el bloqueo de los mezcladores como por un ruido intermitente que proviene del aparato. En este caso es necesario parar inmediatamente el distribuidor, vaciar el contenedor interesado y eliminar la causa del bloqueo.

9 Todo distribuidor de este tipo debe despedir calor. Si el calor producido fuera excesivo, controlar que ninguna fuente de calor se encuentre cerca del distribuidor y, en modo

particular, cerca de las rejillas de los paneles. Cerciorarse además, que el flujo de aire no esté obstaculizado por paredes cercanas, cajas u otras cosas. Dejar por lo menos 15 cm de espacio libre alrededor del distribuidor. En todo caso cuando el producto dentro de los contenedores está helado y la lamparilla del limitador de presión de seguridad está apagada es seguro que todo funciona regularmente y que el calor emitido no es dañoso.

10 Reductor del flujo: cuando el distribuidor se utiliza para la refrigeración de bebidas se aconseja instalar, sobre el grifo, el reductor de flujo provisto (ver figura 4).

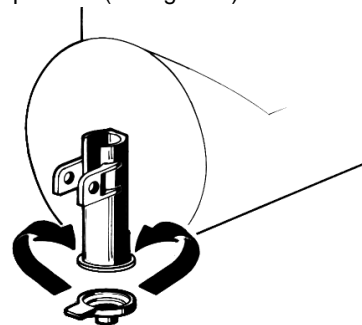


figura 4

## 5. 3 LIMPIEZA

1 La limpieza y el lavado son fundamentales para garantizar la perfecta conservación del gusto de la bebida y la máxima eficiencia de vuestro distribuidor. Los procedimientos descritos a continuación deben ser considerados de carácter general y pueden variar por efecto de la reglamentación de higiene vigente.

2 Antes del desarmado para el lavado del distribuidor debe quitarse todo el producto. Proceder como sigue:

- poner el interruptor general en la posición I;
- poner los interruptores mezcladores/refrigeración en la posición I;
- posicionar un recipiente debajo del grifo y vaciar los contenedores;
- poner todos los interruptores en la posición 0.

### 5. 3. 1 DESMONTAJE



**ATTENCION**

**Antes de proceder con el desmontaje de cualquier componente, desenchufar de la toma de corriente eléctrica el enchufe del aparato o bien apagar el interruptor externo de pared.**

1 Quitar la tapa del contenedor.

2 Desmontar el contenedor empujando ligeramente la parte inferior (lado grifo) hacia arriba para dejar libres los ganchos inferiores (ver figura 5) y luego quitarlo por adelante (ver figura

6).

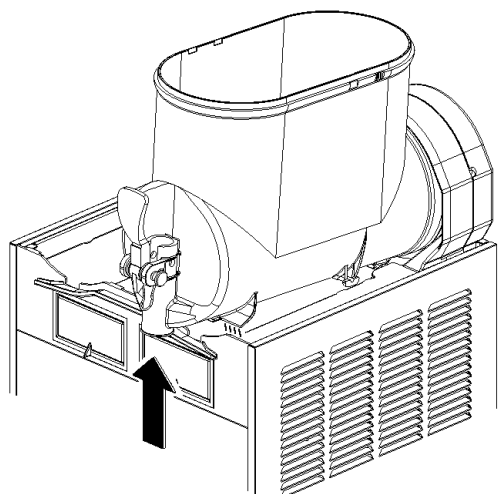


figura 5

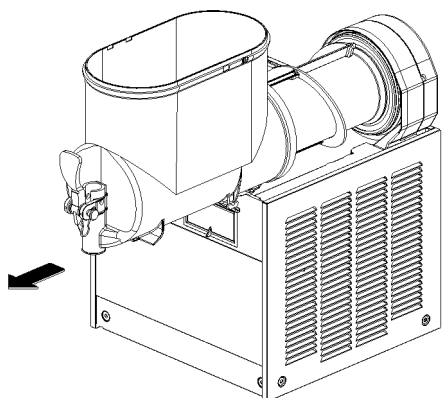


figura 6

3 Desenfilado del evaporador el rascador exterior (ver figura 7) y después el Rotor magnético externo completo (ver figura 8).

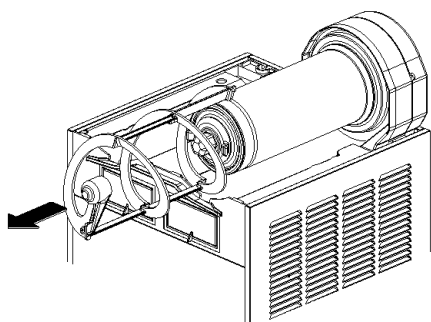


figura 7

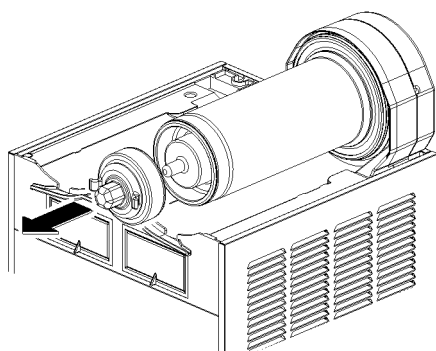


figura 8

4 Quitar de su alojamiento la junta del contenedor (ver figura 9).

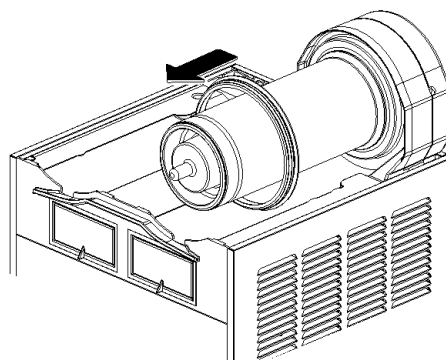


figura 9

5 Desarmar el grifo respetando la secuencia indicada (ver figura 10).

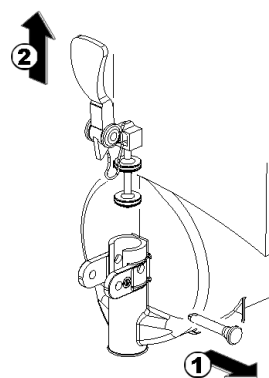


figura 10

6 Desenfilado el cajón recoge-gotas y vaciarlo.

### 5. 3. 2 LAVADO



IMPORTANTE

No lavar ningún componente de la máquina en lavavajillas.



ATTENCION

Antes de efectuar cualquier tipo de limpieza, desenchufar de la toma de corriente eléctrica el enchufe del aparato o bien apagar el interruptor externo de pared.

1 Poner en una palangana aproximadamente ocho litros de agua caliente (120-140 F) y detergente respetando con atención las instrucciones del fabricante; una solución demasiado concentrada del detergente puede provocar daños en las partes a lavar, en vez una solución demasiado diluida puede no limpiar bastante. No utilizar detergentes abrasivos.



IMPORTANTE

Para prevenir daños al distribuidor utilizar solamente un detergente compatible con las partes de plástico.

# MT MINI UL

2 Emplear un cepillo apropiado y lavar minuciosamente con la solución detergente todas las partes en contacto con la bebida.



## ATENCIÓN

**Durante el lavado del distribuidor no usar mucha cantidad de agua cerca de los componentes eléctricos; en caso contrario es posible que se verifiquen shock eléctricos o bien se dañe el distribuidor.**

- 3 No sumergir en la solución de lavado las tapas con luz sino que lavarlas en modo separado. Prestar mucha atención a sus lavados en la parte inferior.
- 4 Lavar los cilindros evaporadores empleando un cepillo con cerdas suaves.
- 5 Enjuagar todas las partes con agua corriente.

### 5. 3. 3 HIGIENIZACION DEL DISTRIBUIDOR DESMONTADO

**La higienización debe efectuarse inmediatamente antes de poner en función el distribuidor; evitar que este permanezca inactivo por mucho tiempo después de haber sido higienizado.**

- 1 Antes de iniciar los procedimientos descritos a continuación lavarse las manos con un jabón antibacterico.
- 2 Poner en una palangana aproximadamente ocho litros de solución de agua caliente (120-140 F) con un producto para higienizar aprobado por las autoridades de vuestro país respetando las especificaciones del fabricante. Si se carece de un producto para higienizar específico, preparar una solución de agua e hipoclorito de sodio (lejía uso alimenticio) en la proporción de 1 cucharadita por cada 0.5 gal de agua.
- 3 Colocar en la solución todas las partes a higienizar dejándolas el tiempo que ha sido indicado por el fabricante del producto.
- 4 No sumergir en la solución las tapas con la luz. Lavar muy minuciosamente la parte inferior con la solución para higienizar.
- 5 Dejar secar las partes higienizadas, sobre una superficie limpia al aire libre.
- 6 Secar las partes externas del distribuidor sin usar paños abrasivos.

### 5. 3. 4 REMONTAJE

- 1 Colocar el cajón recoge-gotas en su alojamiento.
- 2 Lubricar el pistón grifo, el rascador interior y el rotor magnetico (en los puntos A, B y C indicados en la (ver figura 11) utilizando solamente la grasa suministrada por el fabricante u otro grasa para uso alimenticio.

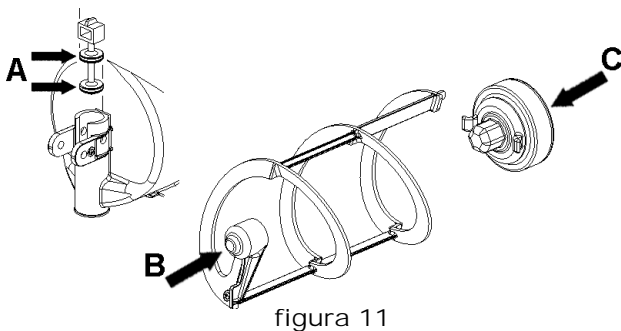


figura 11

- 3 Armar de nuevo el grifo sobre el contenedor siguiendo la secuencia inversa a la detallada para el desmontaje (vedere figura 10).
  - 4 Volver a montar en su alojamiento la junta del contenedor.
- NOTA: El borde de mayor diámetro debe ser apoyado en la

pared posterior (ver figura 12).

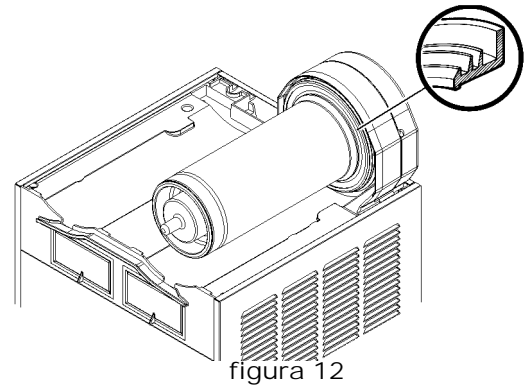


figura 12

5 Insertar el rotor magnetico externo en el evaporador, acompañándolo con cuidado (ver figura 13).

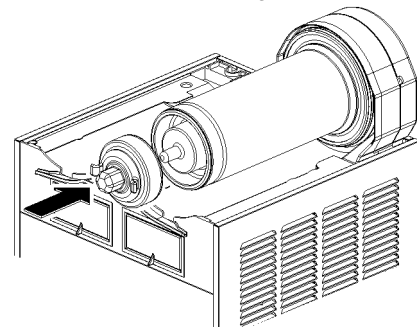


figura 13

6 Colocar sobre el evaporador el rascador exterior acoplado a su extremidad anterior al árbol del rotor magnetico externo (ver figura 14).

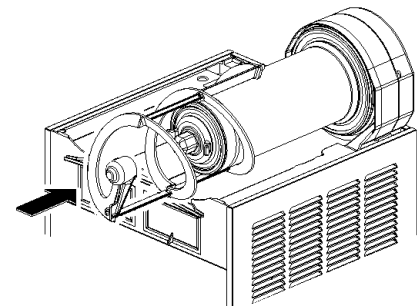


figura 14

7 Montar el contenedor y empujarlo hacia la pared posterior, controlando que calce completamente en la junta y, al mismo tiempo, que sus ganchos inferiores coincidan con las correspondientes salientes del plano de goteo (ver figura 15).

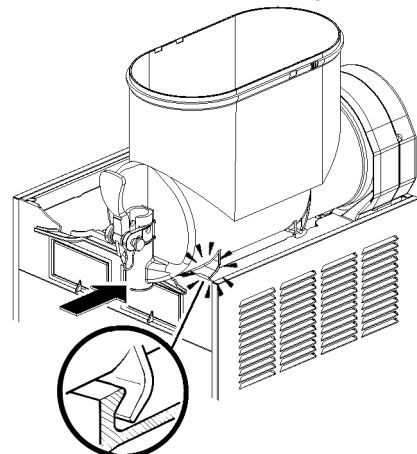


figura 15

8 Enjuagar con bebida fresca para eliminar todo residuo posible de solución para higienizar del fondo de los contenedores. Secar la parte interior de los contenedores con una servilleta de papel desechable.

#### 5. 4 HIGIENIZACION DEL DISTRIBUIDOR MONTADO

**La higienización del aparato montado, antes de ser puesto en funcionamiento, puede ser efectuada, si es necesario, solamente como una ulterior prevención adicional a la higienización del aparato desmontado descrito anteriormente, pero no debe sustituir jamás a la efectuada con el aparato desmontado.**

- 1 Poner en una palangana una solución de agua u producto para higienizar aprobado por las autoridades de vuestro país, respetando las especificaciones del fabricante. Si se carece de un producto para higienizar específico, preparar una solución de agua e hipoclorito de sodio (lejía uso alimenticio) en la proporción de 1 cucharadita por cada 2 litros de agua.
- 2 Verter la solución en los contenedores.
- 3 Usando un cepillo apropiado fregar con la solución todas las partes sobre el nivel de la solución y sobre la parte inferior de la tapa.
- 4 Colocar la tapa y poner en función el distribuidor de modo que permita a la solución agitarse 2 minutos.
- 5 Vaciar los contenedores de la solución para higienizar por medio de los grifos.
- 6 Enjuagar con bebida fresca para eliminar del fondo de los contenedores todo residuo posible de solución para higienizar. Secar la parte interior de los contenedores con una servilleta de papel desechable.
- 7 No efectuar más operaciones de enjuague.

#### 6 MANUTENCION

- 1 **Cada día:** controlar el distribuidor y que no se verifiquen pérdidas de producto de las juntas. Si se notasen pérdidas, controlar , antes de todo, que el distribuidor esté montado correctamente, luego que las juntas no necesiten lubricación y, por último, que dichas juntas no sean defectuosas o estén gastadas, si es así reemplazarlas con recambios originales del fabricante.
- 2 **Cada mes en los modelos MT 2 MINI y MT 3 MINI:** eliminar el polvo que se acumula sobre el filtro del condensador.



ATTENCION

**Antes de efectuar cualquier tipo de limpieza, desenchufar de la toma de corriente eléctrica el enchufe del aparato o bien apagar el interruptor externo de pared.**



ATTENCION

**Prestar atención a las aletas del condensador porque tienen filo.**

#### 6. 1 MANUTENCION (SOLAMENTE POR EL SERVICIO POSTVENTA)

- 1 **Cada mes en el modelo MT 1P MINI:** eliminar el polvo que se acumula sobre el condensador. Antes de efectuar cualquier tipo de limpieza, desenchufar de la toma de corriente eléctrica el enchufe del aparato o bien apagar el interruptor externo de pared, a continuación desmontar los paneles.
- 2 **Cada año:** es aconsejable quitar todos los paneles y limpiar la zona interior, incluso la base y el interior de los paneles.

3 No quitar jamás el material aislante contra la condensación puesto alrededor del tubo de salida del evaporador (el tubo de cobre colocado a la derecha del motoreductor). Si dicho material estuviera dañado o perdido, reponer con recambios originales del fabricante.

4 Para prevenir daños al distribuidor las partes de plástico deben ser lubricadas solamente con la grasa suministrada por el fabricante u otra grasa compatible con policarbonato.



IMPORTANTE

**El diagrama eléctrico del distribuidor se ilustra en la parte interior del panel del lado grifo.**

#### 7 CONTADOR DE DESCONGELACION

El contador de descongelación, que está situado a la derecha del aparato, automáticamente cambia el dispensador de la función del Granizado a la función Bebida y al contrario. Esto quiere decir que durante el periodo de descongelación el Granizado se derretirá a la temperatura fijada por el termostato y una vez que el periodo de descongelación haya terminado, el producto automáticamente se congela de nuevo a la viscosidad prefijada del Granizado.

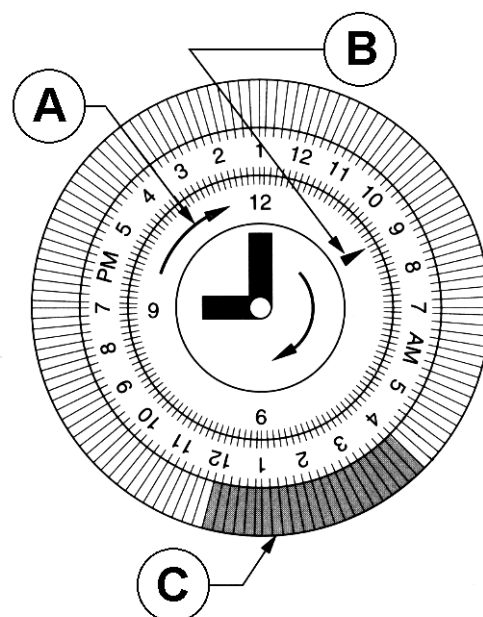


figura 16

Para utilizar el contador de descongelación seguir los siguientes pasos (ver figura 16):

1 fijar la hora del día girando el contador en sentido horario. **Nunca girar el contador en sentido antihorario** ya que el mecanismo interno podría verse dañado. Alinear la hora del día mediante la aguja B situada en la cara del contador. Este es un contador que muestra las 24 horas AM y PM.

2 programar el contador de descongelación presionando las lenguetas indicadas con la letra "C" que corresponden a las horas prefijadas para la descongelación. Cada división representa 15 minutos. Un mínimo de cuatro a ocho horas son necesarias para la descongelación de la bebida (dependiendo de las condiciones ambientales).

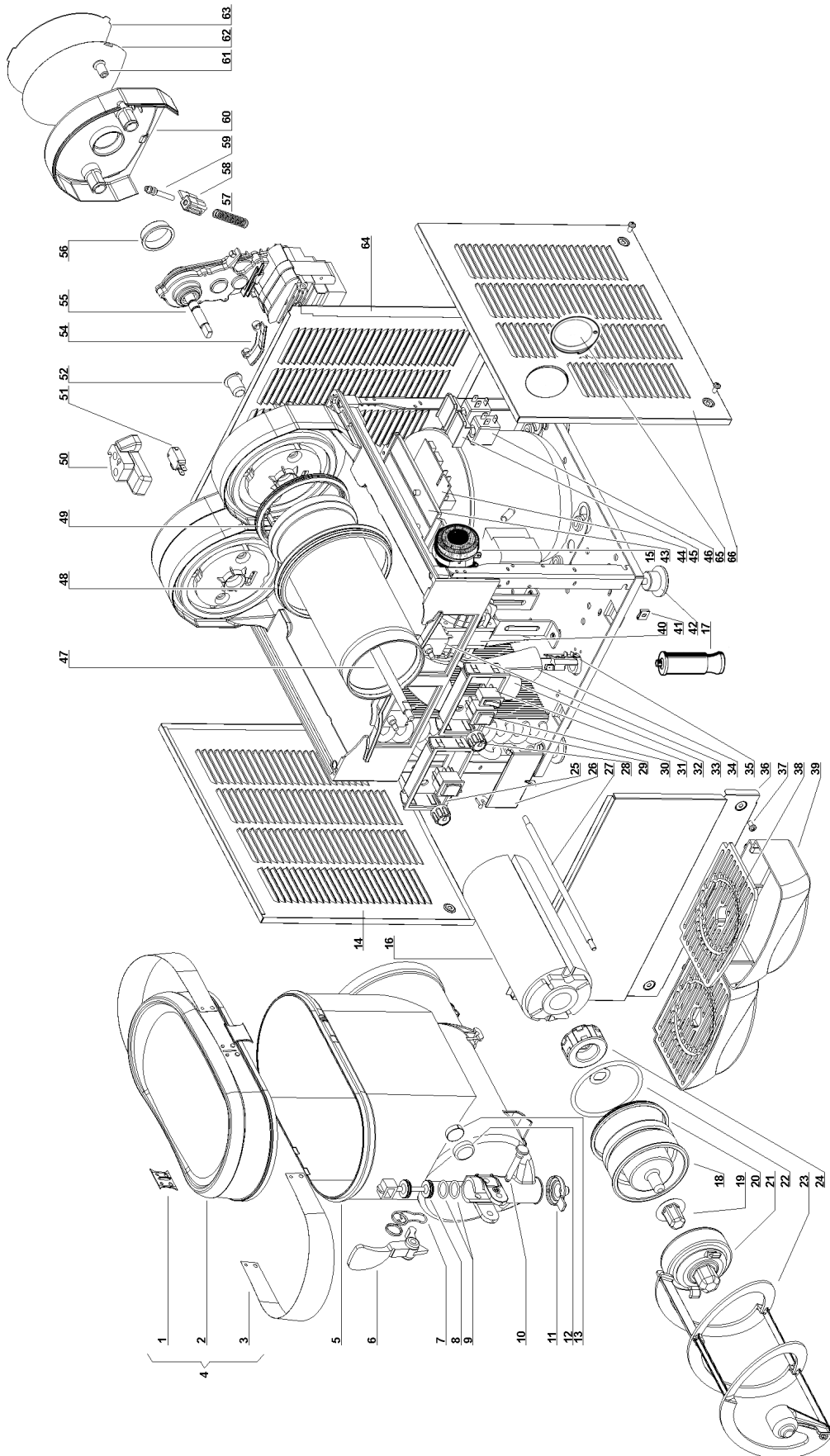
Note: cuando todas las lenguetas no están presionadas la función de descongelación se mantiene apagada (el distribuidor funciona como si no estuviera equipado con el contador de descongelación).

# MT MINI UL



SPARE PARTS LIST

DESCRIPCION PIEZAS DE REPUESTO





1	<b>00687</b>	Cover fixing plate	Placa para tapa
2	<b>00688</b>	Cover	Tapa
3	<b>00689</b>	Picture	Fotografía
4	<b>00690</b>	Complete cover	Tapa
5	<b>00691</b>	Bowl	Contenedor
6	<b>00692</b>	Faucet handle	Palanca grifo
7	<b>00447</b>	Faucet handle spring	Muelle de la palanca grifo
8	<b>00420</b>	Faucet piston	Pistón del grifo
9	<b>00101</b>	Faucet piston OR	Junta OR del pistón grifo
10	<b>00103</b>	Faucet handle pin	Pivote de la palanca
11	<b>00134</b>	Restrictor cap	Tapa de restricción
12	<b>00109</b>	Thrust washer rubber cap	Tapa de goma para buje
13	<b>00537</b>	Thrust washer	Arandela de empuje
14	<b>00237</b>	Left side panel	Panel lateral izquierdo
15	<b>00269</b>	Timer switch	Contador de descongelación
16	<b>00693</b>	Evaporator insulating material	Espuma aislante para evaporador
17	<b>00092</b>	4" leg	4" pie nivelador
18	<b>00694</b>	Evaporator rotor housing	Base rotor evaporador
19	<b>00695</b>	Scraper bushing	Buje para rascador
20	<b>00696</b>	Rotor housing O-ring	O-ring para rotor
21	<b>00697</b>	Outside magnetic rotor assembly	Rotor magnetico externo completo
22	<b>00698</b>	Evaporator front gasket	Junta anterior evaporador
23	<b>00699</b>	Outer spiral	Rascador exterior
24	<b>00228</b>	Magnetic drive	Rotoe interior
25	<b>00129</b>	Switch box	Panel para interruptores
26	<b>00562</b>	Switch panel cover	Tapa panel interruptores
27	<b>00700</b>	Evaporator screw stay	Tirante evaporador
28	<b>00182</b>	Thermostat knob	Pomo para termostato
29	<b>00130</b>	Power switch box	Panel para interruptor general
30	<b>00282</b>	3-position switch	Interruptor de 3 posiciones
31	<b>00124</b>	Switch	Interruptor
32	<b>00133</b>	Fan blade	Aspas
33	<b>00132</b>	Thermostat	Termostato
34	<b>00297</b>	Terminal block protection	Protección pasacable
35	<b>00265</b>	Terminal block with cable clamp	Pasacable
36	<b>000</b>	Dispensing side panel	Panel lado grifo
37	<b>00532</b>	Stainless steel fixing screw for panel	Tornillo inox fijacion paneles
38	<b>00564</b>	Drip tray cover	Rejilla cajón recoge-gotas
39	<b>00565</b>	Drip tray	Cajón recoge-gotas
40	<b>00298</b>	Fan motor MINI 1 GL	Motor ventilador MINI 1 GL
40	<b>00108</b>	Fan motor MINI 2 / 3 GL	Motor ventilador MINI 2 / 3 GL
41	<b>00179</b>	Clip	Clip
42	<b>00158</b>	Rubber leg	Pie nivelador
43	<b>00449</b>	PWB housing	Soporte circuito electrónico
44	<b>00701</b>	Delay electronic device	Circuito electronico
45	<b>00463</b>	Solenoid valve plastic cap	Protección de plastico para bobina electroválvula
46	<b>***</b>	Solenoid valve coil	Bobine electroválvula
47	<b>00702</b>	Shaft	Eje
48	<b>00105</b>	Bowl gasket	Junta del contenedor
49	<b>00703</b>	Evaporator back gasket	Junta posterior evaporador
50	<b>00704</b>	Micro-switch protection	Goma de protección microinterruptor
51	<b>00121</b>	Microswitch	Microinterruptor
52	<b>00150</b>	Grey front bushing	Buje gris anterior
54	<b>00705</b>	Thermostat probe holder	Lleva sonda termostato
55	<b>00706</b>	Gear motor	Motoreductor

# MT MINI UL

56	<b>00153</b>	Rear bushing	Buje posterior
57	<b>00088</b>	Spring	Muelle
58	<b>00452</b>	Shaped nut	Tuerca-guida del muelle
59	<b>00087</b>	Density adjustment screw	Tornillo regulador densidad
60	<b>00573</b>	Rear cover	Tapa posterior
61	<b>00569</b>	Rear cover fixing screw	Tornillo de fijación de la tapa
62	<b>00707</b>	Rear cover picture	Fotografía para tapa posterior
63	<b>00575</b>	Rear cover picture screen	Armazón para fotografía tapa posterior
64	○○○	Back panel	Panel posterior
65	<b>00157</b>	Timer cover	Tapa para timer
66	<b>00526</b>	Right side panel	Panel lateral derecho

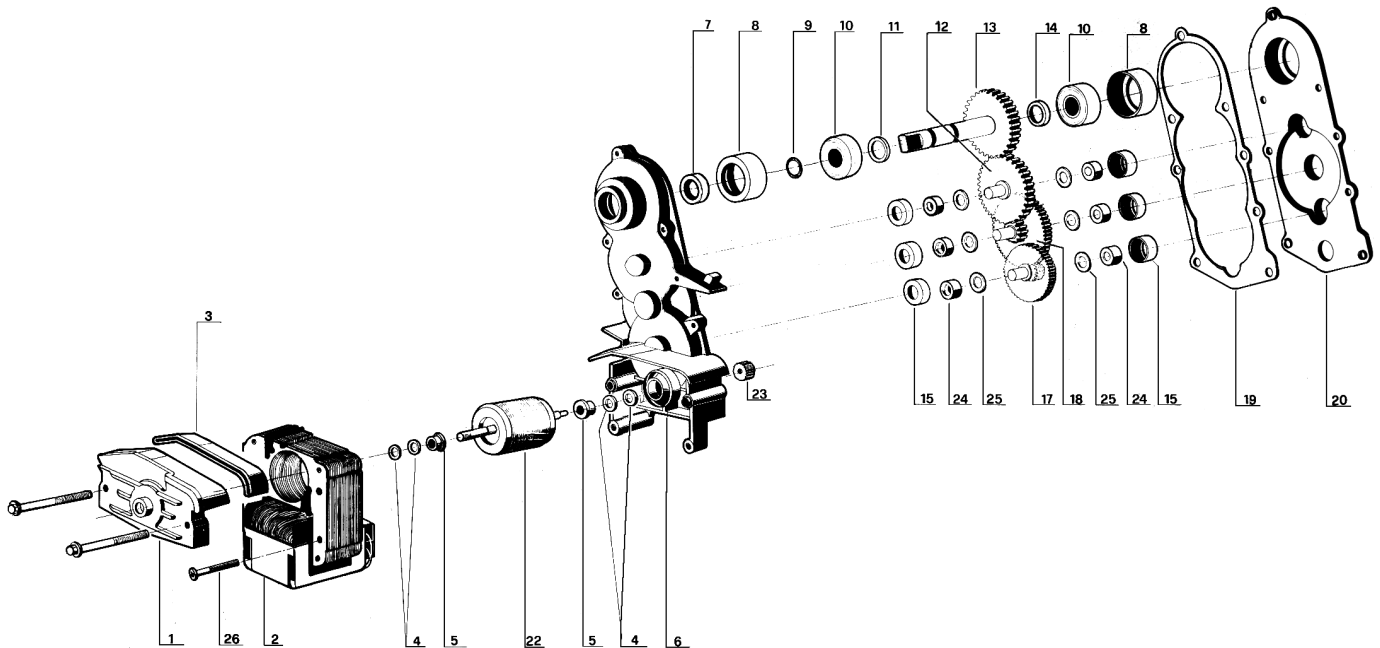
\*\*\* Please order what printed on piece  
○○○ See table

**Pedir com la identificación marcada en la pieza  
Ver tabla**

○○○	MT 1 MINI	MT 2 MINI	MT 3 MINI
	36 00239	00240	00241
	64 00235	00236	00276



GEAR MOTOR  
MOTORREDUCTOR



1	<b>00097</b>	Bracket with bush	Soporte con buje
2	<b>00156</b>	Stator	Estator
3	<b>00296</b>	Stator protection gasket	Junta de la cobertura estador
4	<b>00168</b>	Washer	Arandella
5	<b>00253</b>	Rotor spacer	Distancial del rotor
6	<b>00190</b>	Gear box with bushing	Caja reductor con buje
7	<b>00256</b>	Seal retainer	Junta de retencion
8	<b>00254</b>	Ball bearing $\varnothing$ 28 mm rubber cap	Tapa de goma para cojinete
9	<b>00255</b>	Central shaft OR	OR para eje central
10	<b>00247</b>	Ball bearing $\varnothing$ 28 mm	Cojinete de bolas $\varnothing$ 28
11	<b>00257</b>	1.5 mm spacer	Distancial 1,5 mm.
12	<b>00184</b>	Third gear	Tercero engranaje
13	<b>00388</b>	Fourth gear	Cuarto engranaje
14	<b>00258</b>	3.3 mm spacer	Distancial 3,3 mm.
15	<b>00224</b>	Bushing rubber cap	Tapa de goma para buje
17	<b>00164</b>	First gear	Primero engranaje
18	<b>00167</b>	Second gear	Segundo engranaje
19	<b>00636</b>	Gasket	Junta
20	<b>00189</b>	Gear box cover	Tapa de la caja reductor
22	<b>00180</b>	Rotor	Rotor
23	<b>00187</b>	Pinion	Piñón
24	<b>00169</b>	Bushing	Buje
25	<b>00170</b>	Washer	Arandella
26	<b>00262</b>	Bracket screw	Tornillo del estador



## **CECILWARE CORPORATION**

43-05 20th Avenue  
Long Island City, N.Y. 11105  
Tel. (800) 935 2211  
Fax (718) 932 7860  
Customer.Service@cecilware.com  
www.cecilware.com