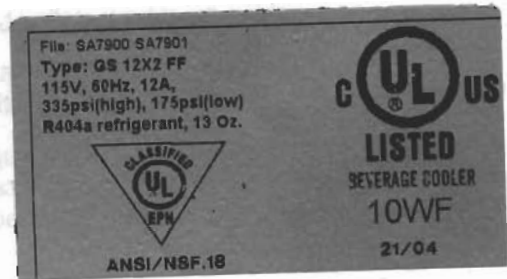


OPERATING INSTRUCTIONS

Model GS12x2 FF
Model GS12x3 FF



Introduction

Thank you for your choice.

We know this machine will draw your attention to the other products of our range because of its reliability and design.

Even though the machine is easy to use, the instructions contained in this manual must be read and followed carefully before starting the machine in order to obtain the best results.

Any retailer will give you the address of our after-sales service centre near you.

Caution:



This unit was designed for indoor use only.

Notice:



Before using the machine carefully read this manual so that it may be correctly and safely operated.

The machine can only be used by trained personnel.

Important notice:



The machine you have purchased is suitable to produce **slush, sherbets** and **cold drinks**. These products can be obtained at the same time if your machine is equipped with more than one tank.

Installation

After removing the packing materials, make sure the equipment is not damaged.

If you are in doubt, do not use the equipment and contact one of our after-sales service centres.

Plastic bags, polystyrene, nails etc. must be kept out of the reach of children as they may be dangerous.

The machine must be positioned on a flat level surface, away from sources of heat. Make sure that a space of at least 20 cm. is left on both sides and behind the machine.

The machine must be installed by competent, qualified technicians.

Always request original spare parts only.

Failure to follow the above directions may compromise safety.

Make sure that the electrical supply corresponds to the electrical rating of the machine, which is indicated on the technical data plate. The power available must be suitable for the machine. Plug the machine directly into an earthed socket, not into a double adapter or multiple power board.

This machine must be installed according to the manufacturer's instructions.

Any failure to follow the directions for installation (aeration space, room temperature etc.) may compromise safety.

This machine should only be used for the purposes for which it was intended. The manufacturer cannot accept liability for any damages due to improper use.

This unit was designed for indoor use only.

Earthing is compulsory by law.

Before cleaning or undertaking maintenance work, make sure you unplug the machine.

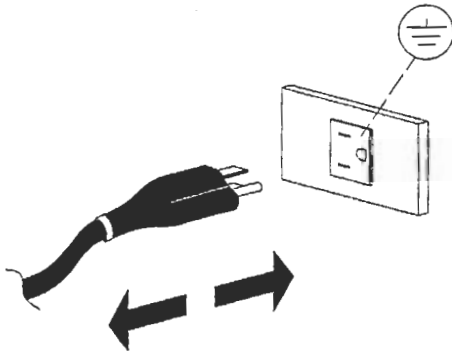


Do not wash with water jets, and do not immerse in water.

If the machine breaks down or malfunctions, turn it off, unplug it and call a qualified service centre. All repair work must be only carried out by a manufacturer-authorized service centre.

OPERATING INSTRUCTIONS

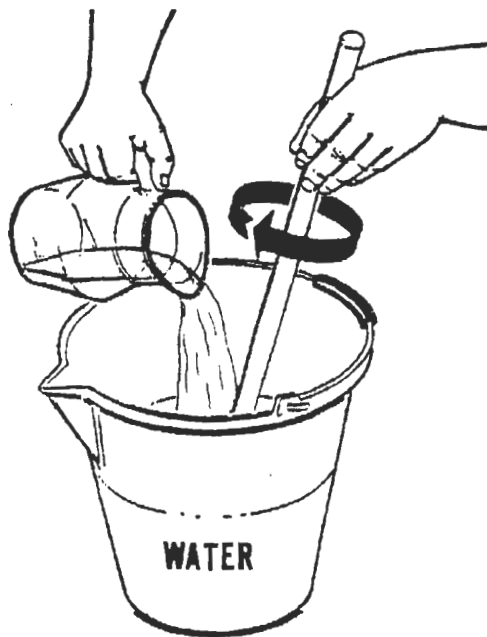
Drink preparation



Plug the machine to a socket with earth plate.



DO NOT USE MULTIPLE ADAPTERS.



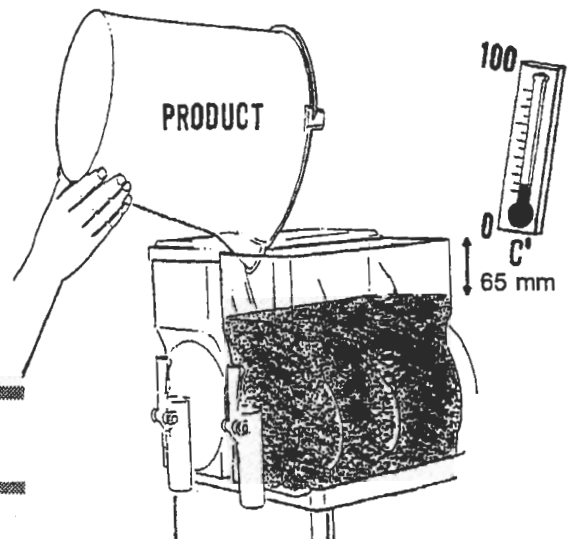
Mix CONCENTRATE with WATER thoroughly in a separate container as per suggested dosage.

THE LIQUID MIX OBTAINED MUST HAVE A MINIMUM SUGAR CONTENT OF 13%. Incorrect dosage can cause damage to the mixing spirals and/or the gearmotor.



DO NOT USE THE MACHINE WITH WATER ONLY

Pour the product into the bowl taking care that it never goes above the max level (65 mm).



DO NOT USE HOT LIQUIDS

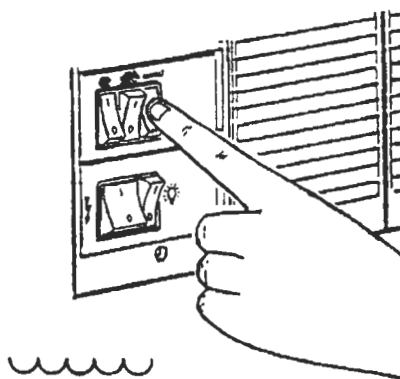
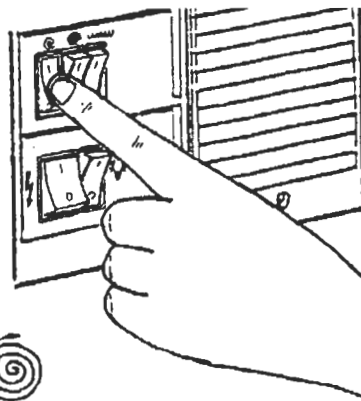
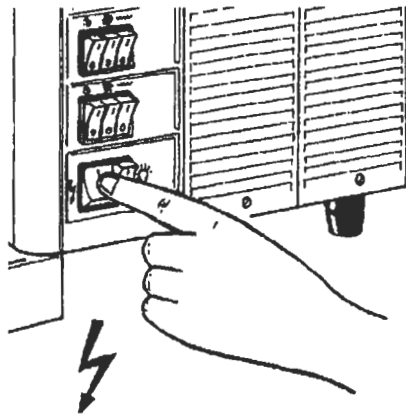


Turn off the power switch and unplug the machine before pouring the product into the bowls

Caution:

do not

Control switches



Each tank is controlled by three switches as follows:

To obtain SLUSH or SHERBETS:

Turn on switch ⚡ : to connect the machine

Turn on switch 🎯 : to start mixer

Turn on switch ❄️ : to start the freezing system

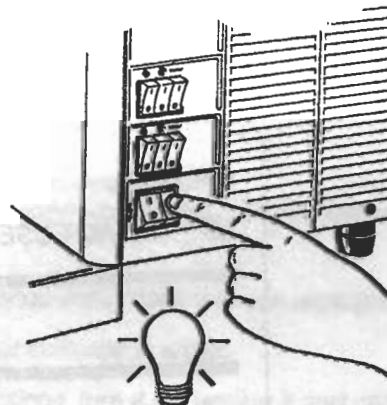
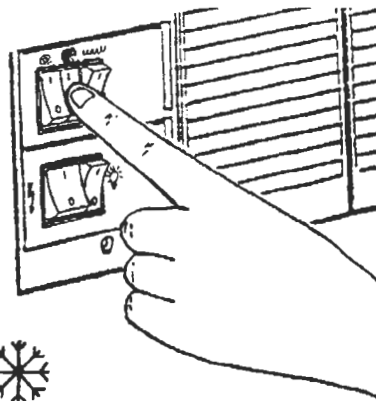
To obtain COLD DRINKS

Turn on switch ⚡ : to connect the machine

Turn on switch 🎯 : to start mixer

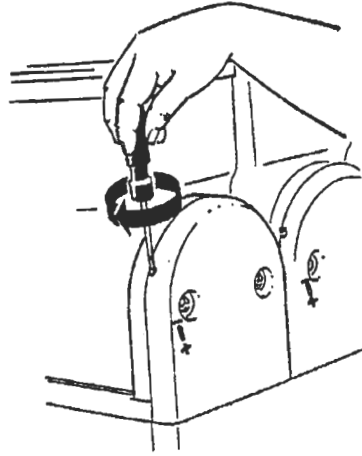
Turn on switch ~~~~ : to start the cold drink system.

When cold drink switch ~~~~ is turned on, the corresponding freezing switch ❄️ must be off.

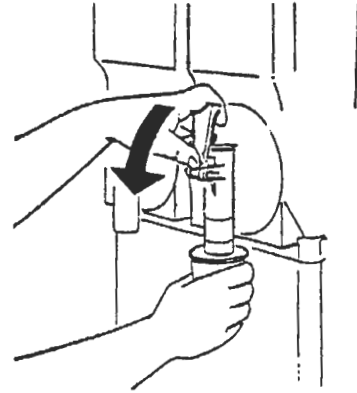


💡 cover light switch

Control switches

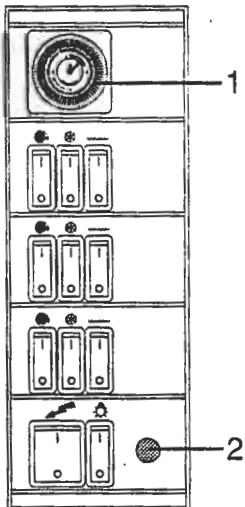


It is possible to adjust slush thickness (+/-) by turning the screw indicated with a screwdriver. Each tank has its own adjusting screw. +: thicker, -: thinner



To dispense drink push tap lever down.

Control switches - optional



The machines can be equipped with optional accessories such as: 1) timer; 2) pressostat.

The timer has been thought to start up and stop the freezing system when it is working and during the intervals of time planned by the user. The planning of the timer is well shown in the operating instructions manual which is enclosed to the machine. While using the timer, the following switches must be on:

Switch ⚡ : to connect the machine
Switch ~ : to start the cold drink system

Switch ☉ : to start the mixing system
Switch ❄️ : to start the freezing system

The timer works on all the bowl at the same time. It is forbidden to stop the switch ☉ (mixing system working) and the switch ~ (freezing system for beverages working) of whatever bowl when the timer is on.

While normal use of the machine the pressostat light (2) is always on. The switching off of this light during the normal use of the machine will show that the machine is not properly working. In this case the intervention of a qualified technician will be necessary in order to check the regular working of the freezing system.

Indications for correct use



When the level of the product in a tank is less than the half of the mixing spiral, either the freezing system should be stopped, by turning off switch ❄️, or the tank level topped up, in order to avoid that an excessive product thickness may result. For safety reasons, every time the tank is filled, the mixer should be switched off using switch ☉.

If the machine is switched off at night with the tanks even partially full, an ice layer can build up at the surface: this is the natural effect which results due to the separation of the non-mixed product.

Should this be the case, before restarting the machine, remove the ice layer so as to prevent any mixer damage. To adjust the thermostat (cold drink temperature only) and FUSE controls, remove the right hand side (i.e. switches panel), adjust accordingly and replace its position.

Caution:



If damaged, the power cord must be replaced by the after-sales service or by a qualified technician only.



TIMER INSTRUCTIONS

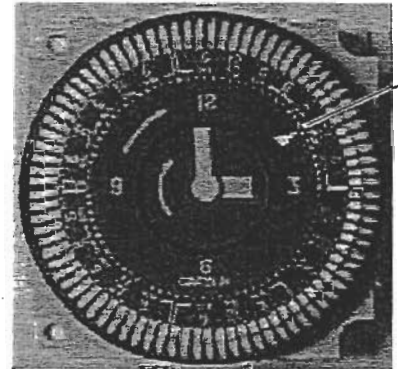
The machine is provided with a mechanical timer, on a 24 hours, weekly basis.

Timer set – up:

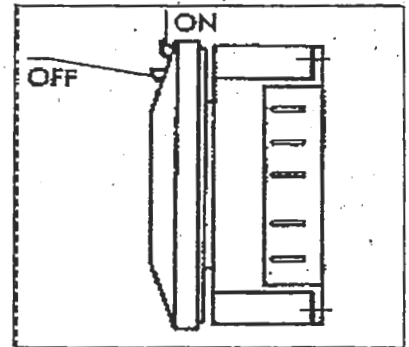
During this procedure, the machine must be in OFF position, and the electrical cable unplugged.

Each lever corresponds to two (2) hours. Every day has 12 levers.

- **Day adjustment:** Turn the switching dial in the direction of the arrow until the current weekday is opposite the marking arrow F (on the picture Mo)
- **Time setting:** continue turning the minute hand in the direction of the arrow until the current time is opposite the marking arrow F (on the picture 03:00 pm)

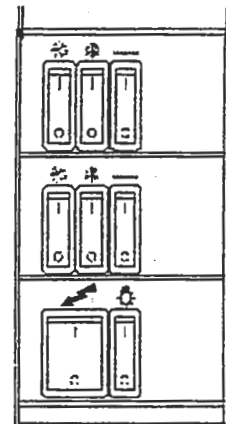


- **Setting the switching times Granita – program:**
OFF = Granita
ON = Cold Drink



Switch Panel setting:

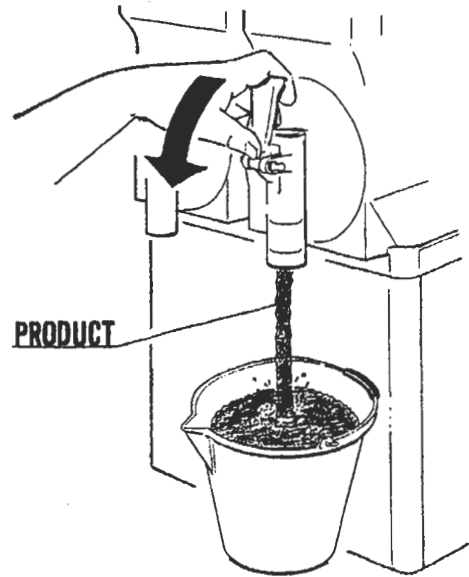
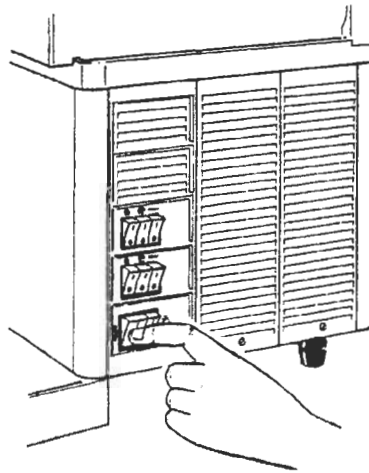
Each switch must be turned to the ON (I) position.



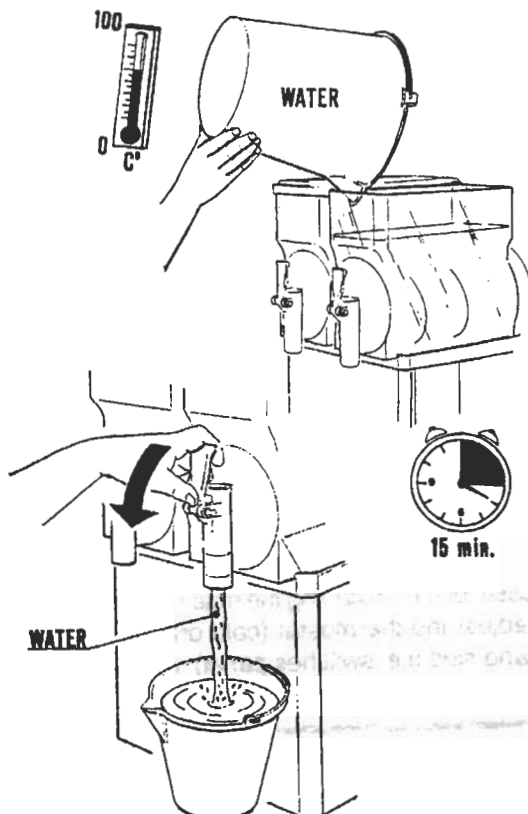
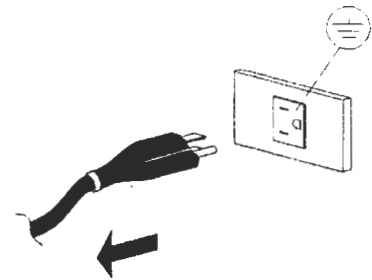
MANUTENZIONE E PULIZIA - MAINTENANCE AND CLEANING ENTRETIEN ET NETTOYAGE - WARTUNG UND REINIGUNG MANTENIMIENTO Y LIMPIEZA

Cleaning after product change

Turn off the refrigeration switch ❄️, then empty the tank.



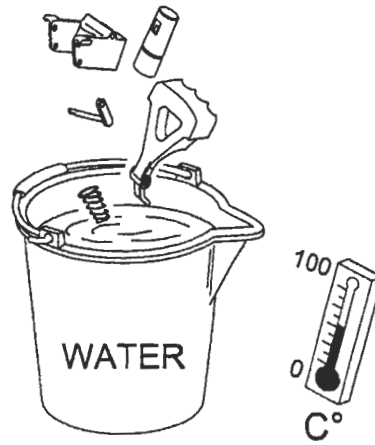
Before starting cleaning operation turn off the MAIN switch and unplug the machine.



To remove residual product, pour warm water in the tank and wait 15 minutes, then empty the tank through the tap.

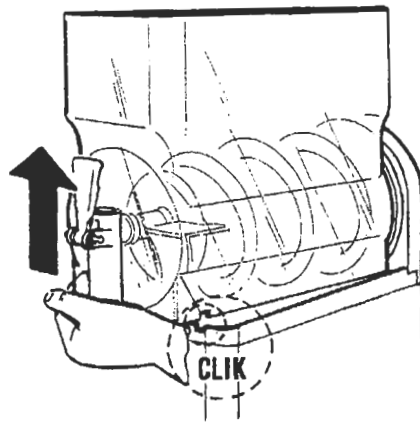
Cleaning for product change

Remove the pin F from its seat so that free access to all parts is allowed, and disassemble the tap. Wash all parts thoroughly. **Before reassembling lightly lubricate the seals with vaseline.**

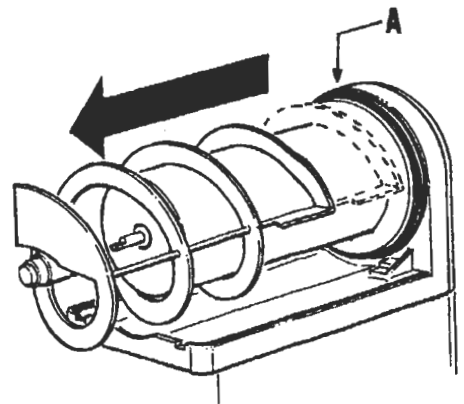
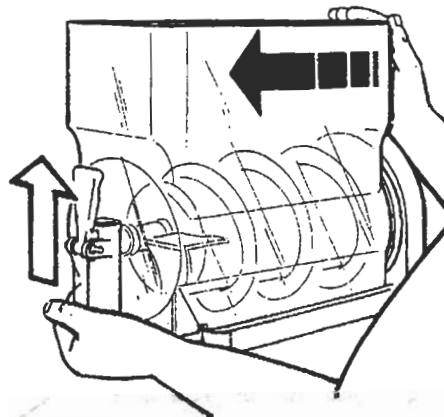


Cleaning the machine

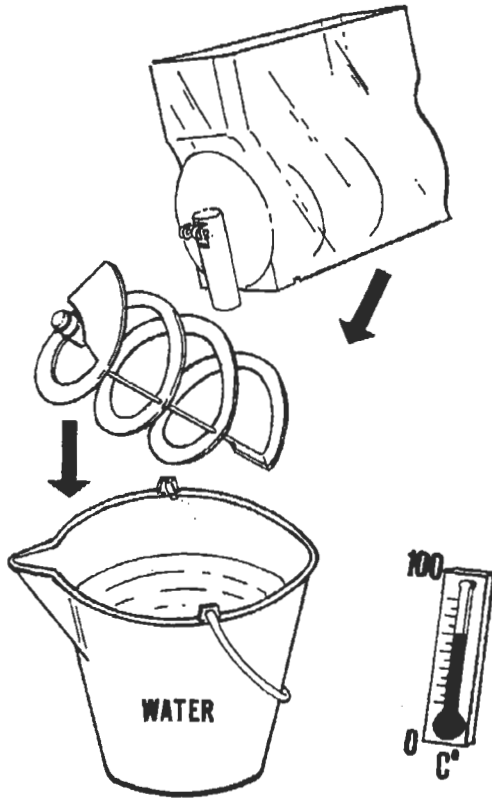
 Switch off and disconnect the machine, following indications on page 6



Remove the tank by lifting the front part until it is released; then lightly push from the rear side. Remove the mixing spiral as well as gasket A.

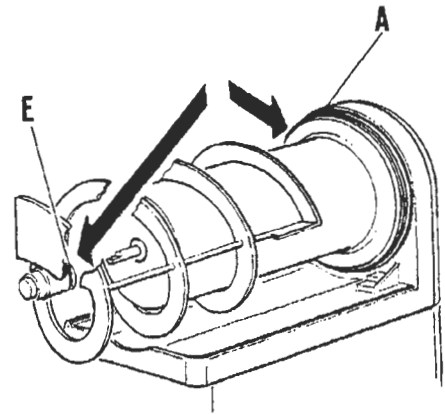


Cleaning the machine

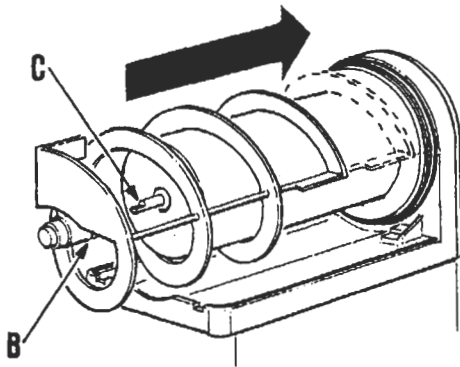


Thoroughly wash these parts with mild dishwashing liquid detergent and warm water, then rinse. Never use abrasive agents.

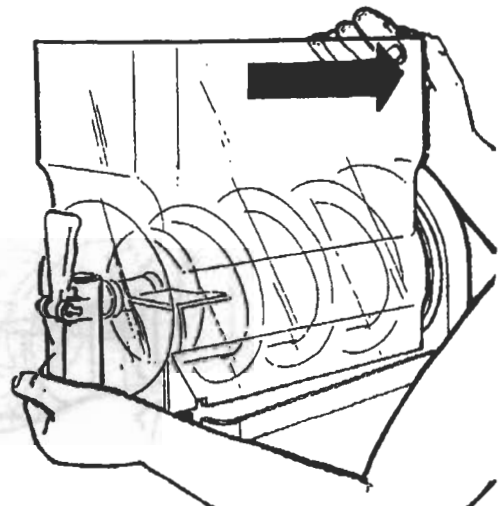
Before replacing the mixing spiral, put gaskets **A** and **E** in their seats, then lubricate with vaseline the areas indicated by the arrows.



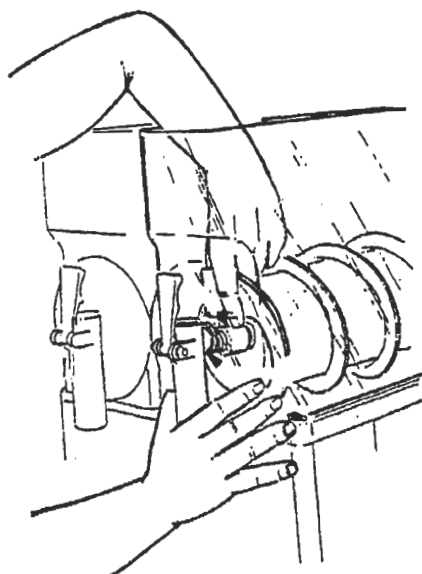
Insert the mixing spiral and ensure that shaft **C** enters head **B**.



Place the tank into its housing.

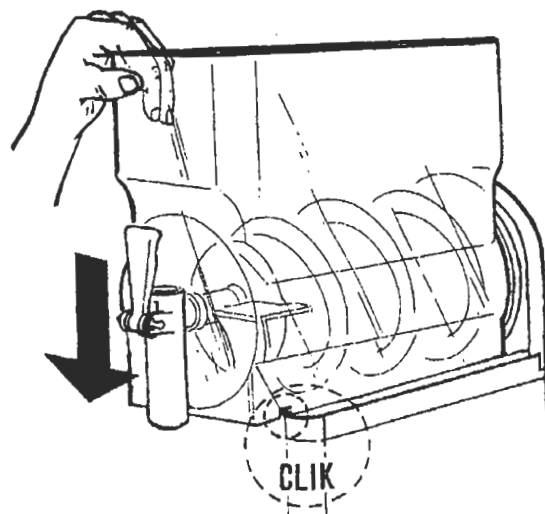


Cleaning the machine




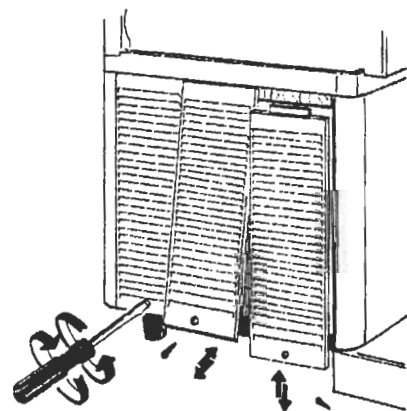
Lightly lift head **B** of the mixing spiral until it lines up with housing **D** of the tank to make them join.

Push the tank down until you hear a click, then reinstall the tap.



Cleaning the condenser

 Switch off and disconnect the machine, following indications on page 6

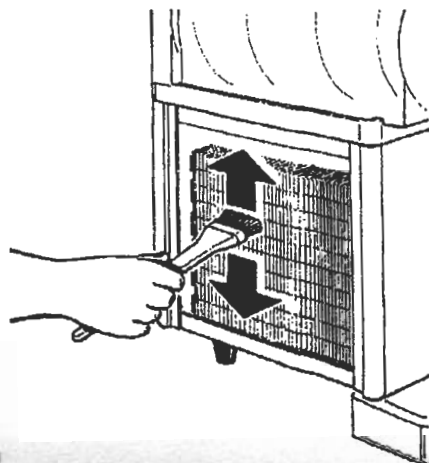


From time to time, provide a cleaning of the condenser located inside the machine. Remove the side panels and, using a dry brush, remove the any dust deposits from the cooling fins.

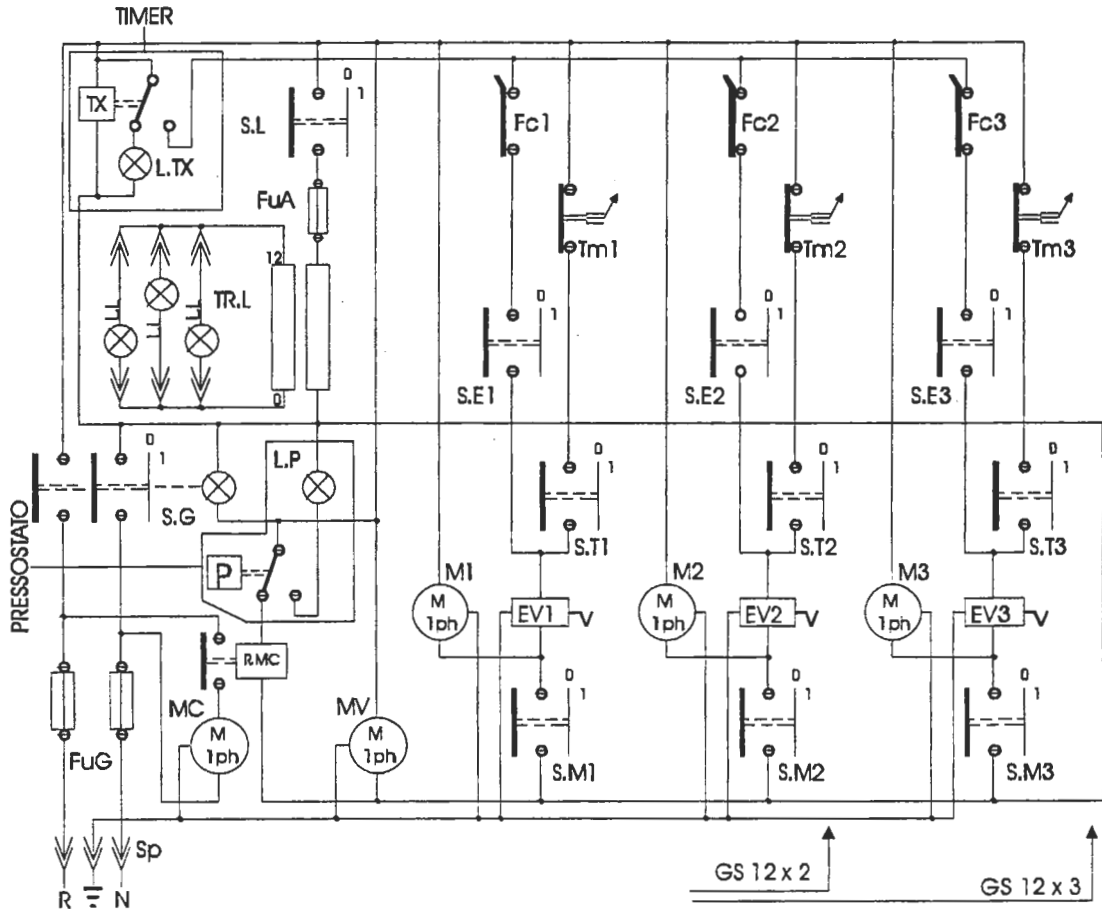


A clogged condenser can compromise the good performance of the machine.

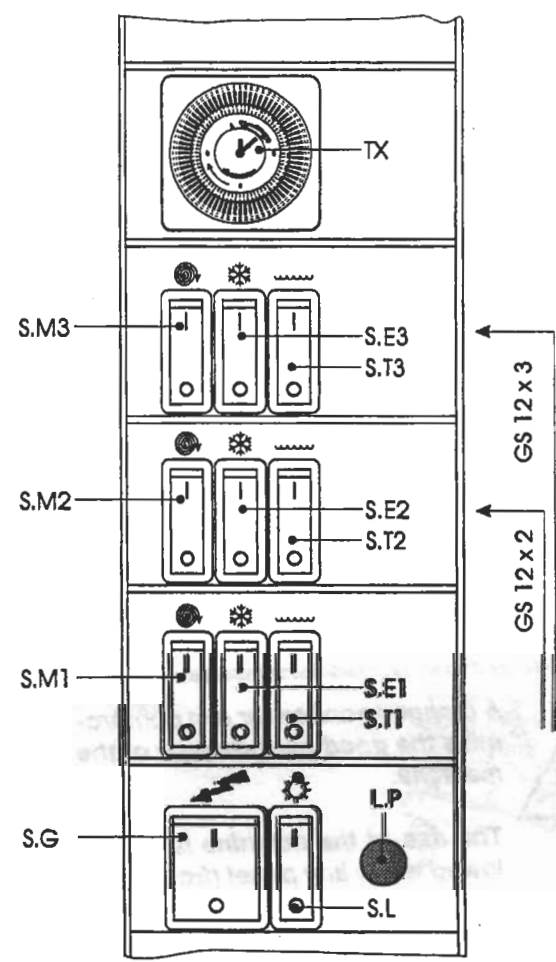
The use of the machine is not allowed when any panel (front, back and side) is not duly assembled.



Wiring diagram

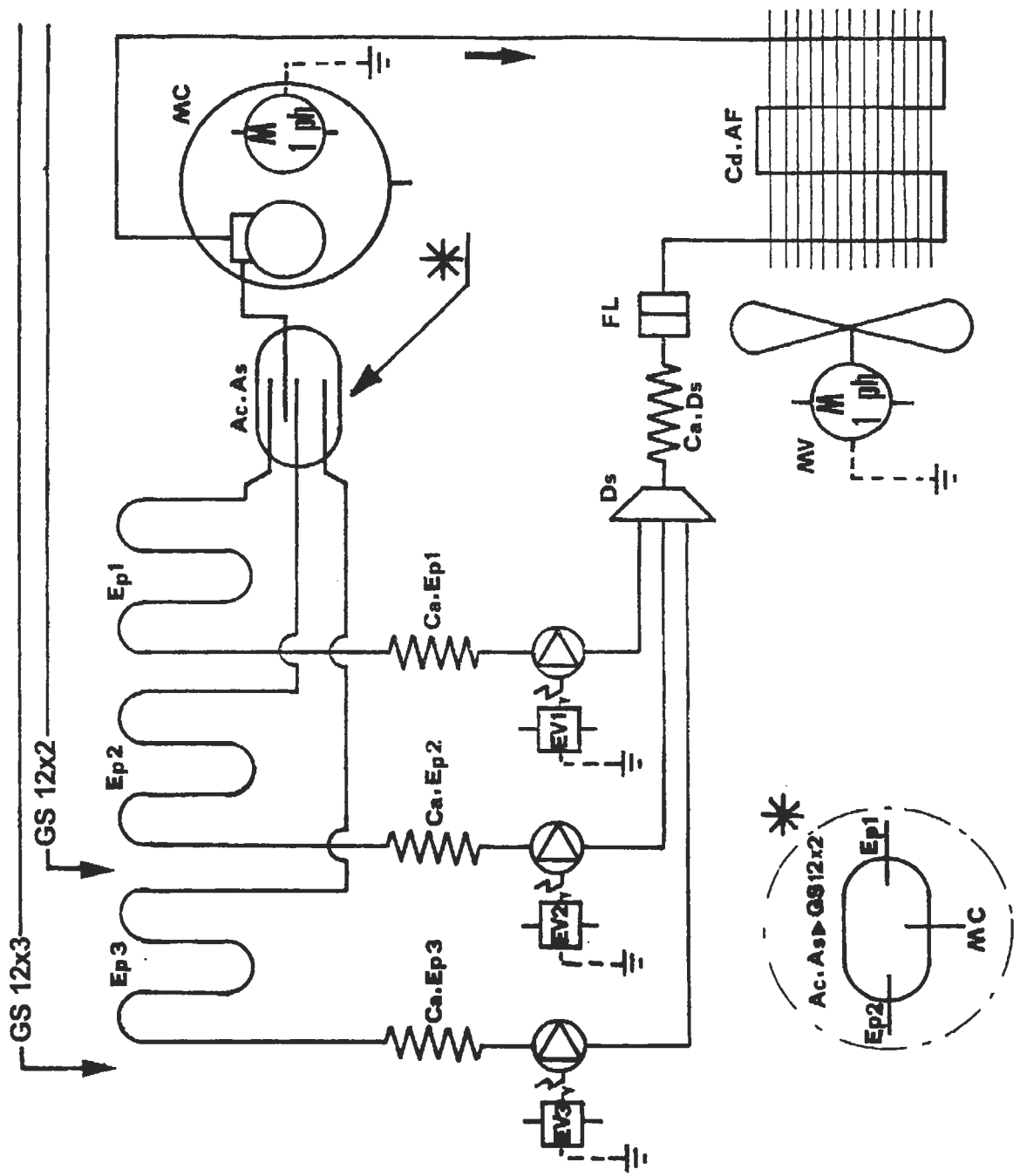


Control panels



**Wiring
diagram**

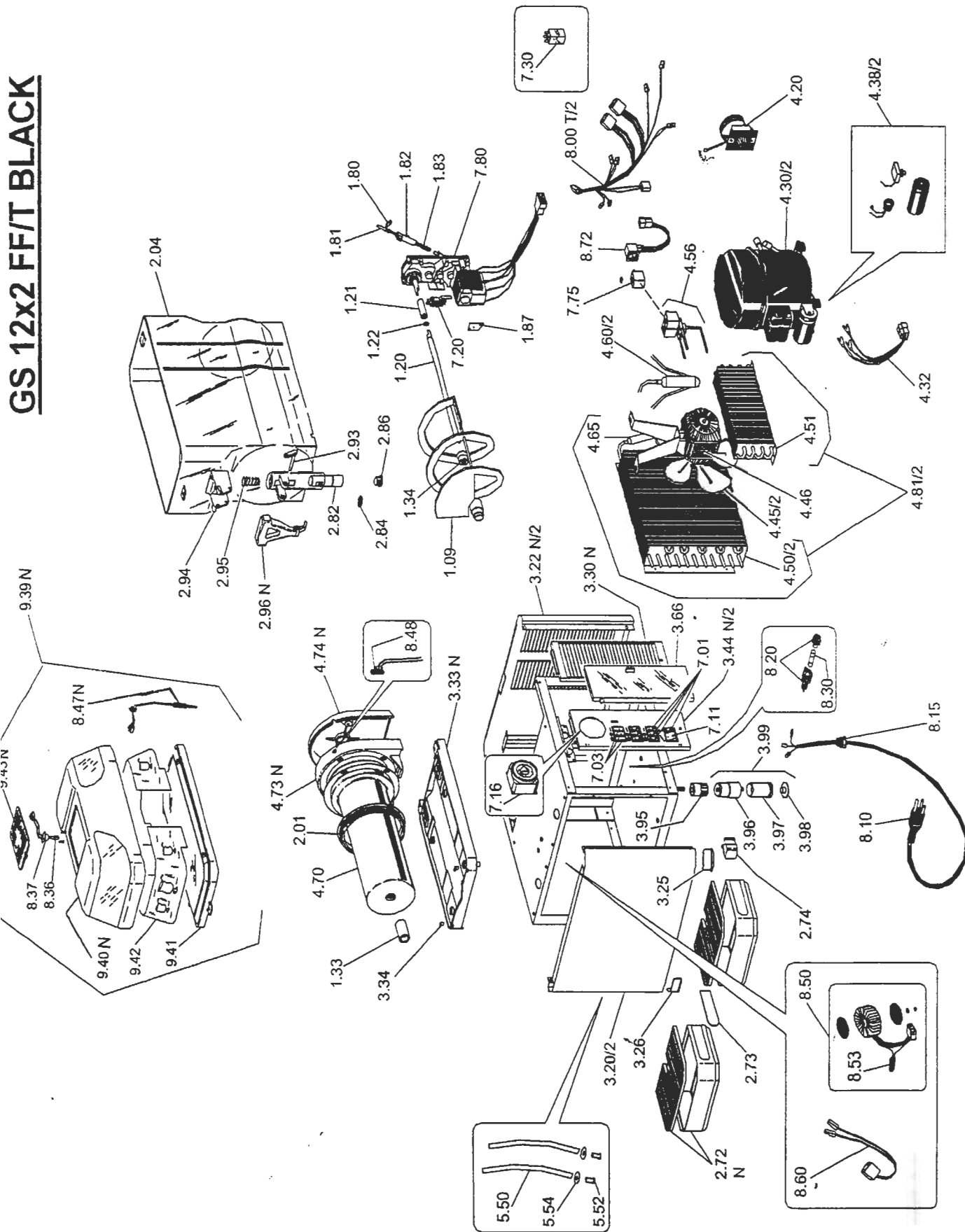
Voce/Item	Description
EV1	SOLENOID VALVE F. TANK 1 COOLING
EV2	SOLENOID VALVE F. TANK 2 COOLING
EV3	SOLENOID VALVE F. TANK 3 COOLING
Fc 1	LIMIT SWITCH 1
Fc 2	LIMIT SWITCH 2
Fc 3	LIMIT SWITCH 3
FcTx	TIMER LIMIT SWITCH
FuA	AUXILIARY FUSE
FuG	MAIN POWER SUPPLY FUSES
L.L	LIGHTED PANEL
L.P	LIGHTED MANSTAT (OPTIONAL)
M1	TANK 1 MIXING SPIRAL MOTOR
M2	TANK 2 MIXING SPIRAL MOTOR
M3	TANK 3 MIXING SPIRAL MOTOR
MC	COMPRESSOR MOTOR
MTx	TIMER MOTOR
MV	FAN MOTOR
MV1	FAN MOTOR 1
MV2	FAN MOTOR 2
P	MANOSTAT (OPTIONAL)
S.G.	MAIN SWITCH
S.L	LIGHTED PANEL SELECTOR
S.E1	SOLENOID VALVE SWITCH 1
S.E2	SOLENOID VALVE SWITCH 2
S.E3	SOLENOID VALVE SWITCH 3
S.M1	MIXING SPIRAL MOTOR 1 SWITCH
S.M2	MIXING SPIRAL MOTOR 2 SWITCH
S.M3	MIXING SPIRAL MOTOR 3 SWITCH
S.T1	THERMOSTAT SWITCH 1
S.T2	THERMOSTAT SWITCH 2
S.T3	THERMOSTAT SWITCH 3
S.Tx	TIMER SWITCH
TM1	TANK 1 THERMOSTAT
TM2	TANK 2 THERMOSTAT
TM3	TANK 3 THERMOSTAT
TR.L	TRANSFORMER
Tx	TIMER
SP	MAIN POWER SUPPLY PLUG
*	* SEE EXPLODED VIEW



**Cooling
system
diagram**

Voce/Item	Description
Ac.As	HYDRAULIC TRAP
Ca.Ds	DISPENSING CAPILLARY
Ca.Ep1	EVAPORATOR CAPILLARY 1
Ca.Ep2	EVAPORATOR CAPILLARY 2
Ca.Ep3	EVAPORATOR CAPILLARY 3
Cd.AF	FORCED VENTILATION CONDENSER
Cd.AF1	FORCED VENTILATION CONDENSER 1
Cd.AF2	FORCED VENTILATION CONDENSER 2
Ep1	EVAPORATOR 1
Ep2	EVAPORATOR 2
Ep3	EVAPORATOR 3
EV1	SOLENOID VALVE 1
EV2	SOLENOID VALVE 2
EV3	SOLENOID VALVE 3
DS	DISTRIBUTOR
FL	FILTER
MC	SEALED-PISTON COMPRESSOR MOTOR
MV	HELICAL FAN MOTOR
MV1	HELICAL FAN MOTOR 1
MV2	HELICAL FAN MOTOR 2
*	* SEE EXPLODED VIEW

Exploded View

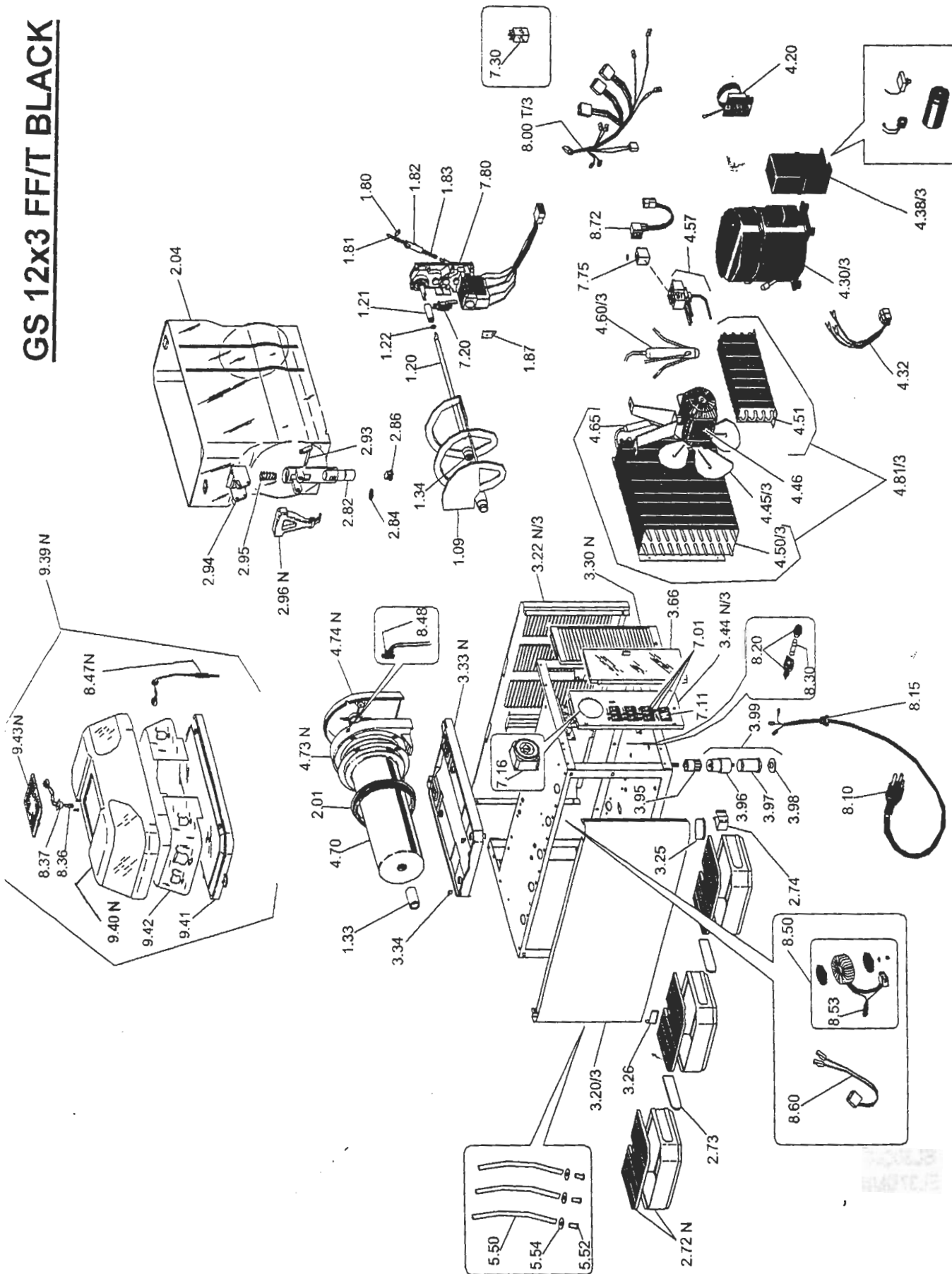


GS12x2 FF/T BLACK

ITEM	CODE	DESCRIPTION	ITEM	CODE	DESCRIPTION
1.09	SL3GS12009D	Auger spiral one piece	4.65	SL3GS24815A	Dryer 20 gr
1.20	SL3GS12030A	Drive shaft for spiral	4.70	SL3GS36011B	Evaporator
1.21	SL3GS12031A	Bushing spindle conn.	4.73 N	SL3GS24125D	Evapor. support - black
1.22	SL300006076	Seeger-ring	4.74 N	SL3GS24026E	Evaporator cover - black
1.33	SL300951752	Shaft supporting bushing	4.81/2	SL3GS24615C	Cond. group assy 2B
1.34	SL300951857	Scraper rubber attachment	5.50	SL3GS24043A	Drain pipe
1.80	SL3GS12036A	Hardness control catch	5.52	SL38WA5149N	Fixing bush for drain pipe
1.81	SL3GS12035A	Hardness control pin	5.54	SL31KK10230	Washer for drain pipe
1.82	SL3GS12037B	Hardness control bushing	7.01	SL300000964	Switch - Black 11x30
1.83	SL3GS12038A	Torque compression spring	7.03	SL38AF1130N	Bung
1.87	SL320000007	Gearmotor support	7.11	SL300003131	Main switch - Green
2.01	SL3GS36007B	Gasket rear evap/bowl	7.16	SL38CYA3FM1	Weekly mech. Timer
2.04	SL320000003	Lockable bowl	7.20	SL38BA02888	Limit switch
2.72 N	SL3GS12087C	Drip tray assy - black	7.30	SL38CD65311	Relay 115V
2.73	SL3GS12063A	Drip tray adaptor	7.75	SL38EAD18GL	Ev-coil CEME 115V
2.74	SL3GS24114A	Drip tray hook	7.80	SL3MS4M015C	Gearmotor
2.82	SL3GS12042D	Plunger spigot	8.00 T/2	SL3GS24073E	Electric system wire 2B
2.84	SL3GS24044B	O-Ring, spigot	8.10	SL3GS24085A	Power cable with American plug
2.86	SL3GS12044A	Plug, spigot bottom	8.15	SL38WBPA107	fairlead
2.93	SL3GS82015A	Pin spigot	8.20	SL300002452	Fuse-holder
2.94	SL3GS82013A	Tap holder (spigot)	8.30	SL38WZG0025	Fuse
2.95	SL3GS82014A	Conical spring (spigot)	8.36	SL38LA 10WG 4	bulb
2.96 N	SL3GS12086C	New handle (spigot) - black	8.37	SL38MA218SA	bulb holder
3.20/2	SL3GS24104A	Front s/s panel 2B	8.47 N	SL3GS12313A	Cable with jack plug (male)
3.22 N/2	SL3GS24325A	Back panel 2B - black	8.48	SL3GS12013B	Female for jack plug
3.25	SL3GS36107A	Corner protection - right	8.50	SL3GS24K01D	Transformer assy
3.26	SL3GS36108A	Corner protection - left	8.53	SL38WZC0005	Auxiliary fuse 5X20
3.30 N	SL3GS36006C	Louvered plastic panel - black	8.60	SL3GS36137B	Transformer wiring
3.33 N	SL3GS24007C	Condensate tray - black	8.72	SL3GS36043A	Gas valve connector
3.34	SL3GS24008A	Clip	9.39N	SL3GS12659N	'crown' topper - assy - black
3.44 N/2	SL3GS36321A	Plastic control panel - black	9.40N	SL3GS12089C	'crown' topper - upper part - black
3.66	SL3GS36322B	Guard control panel	9.41	SL3GS36009C	'crown' topper - clear undercover
3.95	SL300951357	Foot (fixed to frame)	9.42	SL3GS12091A	Decal
3.96	SL300950833	Nut supplement foot	9.43N	SL3GS12090C	'crown' topper - door for bulb - black
3.97	SL300950624	Adjustable supplement foot			
3.98	SL300951368	Supplement foot bung			
3.99	SL300950840	Full adjustable foot			
4.20	SL37AAL3231	Thermostat			
4.30/2	SL37ZG12155	Compressor T2155GK 115V			
4.32	SL3GS24038B	Compressor wiring			
4.38/2	SL3GS24K02D	Kit electric parts compressor T2155GK			
4.45/2	SL300000233	Fan blade diam.254			
4.46	SL37UMN2545	Fan motor 115V - 25W			
4.50/2	SL3GS24010A	Condenser 2B			
4.51	SL3GS24088A	Extra condenser			
4.56	SL3GS24711D	Double solenoid valve assy			
4.60/2	SL3GS24618B	Receiver 30x120 - 2B			

GS 12x3 FF/T BLACK

Exploded View



GS12x3 FF/T BLACK

ITEM	CODE	DESCRIPTION	ITEM	CODE	DESCRIPTION
1.09	SL3GS12009D	Auger spiral one piece	4.65	SL3GS36815A	Dryer 20 GR.
1.20	SL3GS12030A	Drive shaft for spiral	4.70	SL3GS36011B	Evaporator
1.21	SL3GS12031A	Bushing spindle conn.	4.73 N	SL3GS24125D	Evaporator support - black
1.22	SL300006076	Seeger-ring	4.74 N	SL3GS24026E	Evaporator cover - black
1.33	SL300951752	Shaft supporting bushing	4.81/3	SL3GS36615C	Condensers group assy
1.34	SL300951857	Scraper rubber attachment	5.50	SL3GS24043A	Drain pipe
1.80	SL3GS12036A	Hardness control catch	5.52	SL38WA5149N	Fixing bush for drain pipe
1.81	SL3GS12035A	Hardness control pin	5.54	SL31KK10230	Washer for drain pipe
1.82	SL3GS12037B	Hardness control bushing	7.01	SL300000964	Switch - Black 11x30
1.83	SL3GS12038A	Torque compression spring	7.11	SL300003131	Main switch - Green
1.87	SL320000007	Gearmotor support	7.16	SL38CYA3FM1	Weekly mech. Timer
2.01	SL3GS36007B	Gasket rear evap/bowl	7.20	SL38BA02888	Limit switch
2.04	SL320000003	Lockable bowl	7.30	SL38CD65311	Relay 115V
2.72 N	SL3GS12087C	Drip tray assy - black	7.75	SL38EAD18GL	Ev-coil CEME 115V
2.73	SL3GS12063A	Drip tray adaptor	7.80	SL3MS4M015C	Gearmotor
2.74	SL3GS24114A	Drip tray hook	8.00 T/3	SL3GS36073E	Electric system wire
2.82	SL3GS12042D	Plunger spigot	8.10	SL3GS24085A	Power cable with American plug
2.84	SL3GS24044B	O-Ring, spigot	8.15	SL38WBPA107	fairlead
2.86	SL3GS12044A	Plug, spigot bottom	8.20	SL300002452	Fuse-holder
2.93	SL3GS82015A	Pin spigot	8.30	SL38WZG0025	Fuse
2.94	SL3GS82013A	Tap holder (spigot)	8.36	SL38LA 10WG 4	bulb
2.95	SL3GS82014A	Conical spring (spigot)	8.37	SL38MA218SA	bulb holder
2.96 N	SL3GS12086C	New handle (spigot) black	8.47 N	SL3GS12313A	Cable with jack plug (male)
3.20/3	SL3GS36104A	Front s/s panel 3B	8.48	SL3GS12013B	Female for jack plug
3.22 N/3	SL3GS36325A	Back panel 3B - black	8.50	SL3GS24K01D	Transformer assy
3.25	SL3GS36107A	Corner protection - right	8.53	SL38WZC0005	Auxiliary fuse 5X20
3.26	SL3GS36108A	Corner protection - left	8.60	SL3GS36137B	Transformer wiring
3.30 N	SL3GS36006C	Louvered plastic panel - black	8.72	SL3GS36043A	Gas valve connector
3.33 N	SL3GS24007C	Condensate tray - black	9.39N	SL3GS12659N	'crown' topper - assy - black
3.34	SL3GS24008A	Clip	9.40N	SL3GS12089C	'crown' topper - upper part - black
3.44 N/3	SL3GS36321A	Plastic control panel - black	9.41	SL3GS36009C	'crown' topper - clear undercover
3.66	SL3GS36322B	Guard control panel	9.42	SL3GS12091A	Decal
3.95	SL300951357	Foot (fixed to frame)	9.43N	SL3GS12090C	'crown' topper - door for bulb - black
3.96	SL300950833	Nut supplement foot			
3.97	SL300950624	Adjustable supplement foot			
3.98	SL300951368	Supplement foot bung			
3.99	SL300950840	Full adjustable foot			
4.20	SL37AAL3231	Thermostat			
4.30/3	SL37ZG12168	Compressor T2168GK 115V			
4.32	SL3GS24038C	Compressor wiring			
4.38/3	SL3GS36K01D	Kit electric parts compressor T2168GK			
4.45/3	SL37TN30019	Fan blade diam.300			
4.46	SL37UMN2545	Fan motor 115V - 25W			
4.50/3	SL3GS36010A	Condenser 3B			
4.51	SL3GS24088A	Extra condenser			
4.57	SL3GS36711D	Triple solenoid valve assy			
4.60/3	SL3GS36718D	Receiver 30x170 3B			

TROUBLE SHOOTING GUIDE

Trouble	Possible Causes	Remedy
<i>Machine overheats</i>	<ul style="list-style-type: none"> • <i>Fan motors are blocked</i> 	<ul style="list-style-type: none"> • <i>Check that nothing is obstructing the fans.</i>
<i>The tap drips</i>	<ul style="list-style-type: none"> • <i>O-rings may be improperly placed</i> 	<ul style="list-style-type: none"> • <i>Make sure that the o-rings are in place and have no cuts.</i> • <i>Check that the piston is correctly closed and nothing is obstruction its outlet.</i> • <i>Verify that the spring works correctly.</i>
<i>Machine is not cooling the product</i>	<ul style="list-style-type: none"> • <i>Voltage may be labelled improperly</i> • <i>Does the machine have power?</i> • <i>The condenser is dirty.</i> • <i>No refrigerant</i> 	<ul style="list-style-type: none"> • <i>Verify that the voltage supply matches the label on the back of the machine.</i> • <i>Check to see if the machine is plugged in.</i> • <i>Clean the condenser carefully with a brush trying not to damage the ribs.</i> • <i>Contact authorized service agency.</i>
<i>The unit does not work</i>	<ul style="list-style-type: none"> • <i>No power</i> • <i>Power cord loose or damaged.</i> • <i>Defective switch</i> • <i>Wiring disconnected</i> 	<ul style="list-style-type: none"> • <i>Connect unit to power supply.</i> • <i>Locate problem and correct. Replace power cord if necessary.</i> • <i>Replace switch.</i> • <i>Check wiring for loose connection or broken wire.</i>
<i>One of the augers does not work</i>	<ul style="list-style-type: none"> • <i>Motor connection loose</i> • <i>Defective switch</i> • <i>Auger is stuck</i> • <i>Bad gear inside motor</i> 	<ul style="list-style-type: none"> • <i>Check wiring to motor.</i> • <i>Replace switch.</i> • <i>Check auger, replace if necessary.</i> • <i>Replace.</i>
<i>Compressor does not start</i>	<ul style="list-style-type: none"> • <i>Defective overload</i> • <i>Defective relay</i> • <i>Defective compressor</i> 	<ul style="list-style-type: none"> • <i>Replace.</i> • <i>Replace.</i> • <i>Replace.</i>

TROUBLE SHOOTING GUIDE (cont'd)

Trouble	Possible Causes	Remedy
<i>Unit cools but does not freeze.</i>	<ul style="list-style-type: none"> • <i>Switch is not on.</i> • <i>The condenser is dirty.</i> • <i>Not enough place around the unit.</i> • <i>Mix with less than 12% sugar content.</i> • <i>Hardness control pin at lower level .</i> 	<ul style="list-style-type: none"> • <i>Check that switch is on right position.</i> • <i>Clean the condenser carefully with a brush (do not to damage the ribs).</i> • <i>Remove other objects that may be blocking airflow around unit.</i> • <i>Remix with 12% sugar content.</i> • <i>Turn on density switch.</i>
<i>One bowl does not cool or freeze.</i>	<ul style="list-style-type: none"> • <i>Defective solenoid valve.</i> • <i>Defective thermostat.</i> • <i>Defective density switch.</i> • <i>Defective front panel switch.</i> 	<ul style="list-style-type: none"> • <i>Replace.</i> • <i>Replace.</i> • <i>Replace.</i> • <i>Replace.</i>
<i>One bowl cools but does not freeze.</i>	<ul style="list-style-type: none"> • <i>Hardness control pin at lower level.</i> • <i>Front panel switch set for cold drinks.</i> 	<ul style="list-style-type: none"> • <i>Replace.</i> • <i>Check that switch is in right position.</i>
<i>Noisy auger.</i>	<ul style="list-style-type: none"> • <i>No lubricant.</i> • <i>Defective gear reducer motor.</i> 	<ul style="list-style-type: none"> • <i>Lubricate the front auger seal.</i> • <i>Replace.</i>
<i>Leaky Bowl.</i>	<ul style="list-style-type: none"> • <i>Gasket improperly installed or defective.</i> 	<ul style="list-style-type: none"> • <i>Reinstall gasket, replace if necessary.</i>
<i>Cover light does not work</i>	<ul style="list-style-type: none"> • <i>Burned out bulb.</i> • <i>Defective cable.</i> • <i>Defective plug</i> • <i>Defective fuse</i> • <i>Defective transformer</i> • <i>Defective light switch</i> 	<ul style="list-style-type: none"> • <i>Replace bulb.</i> • <i>Replace cable.</i> • <i>Replace plug.</i> • <i>Replace fuse.</i> • <i>Replace transformer.</i> • <i>Replace switch.</i>